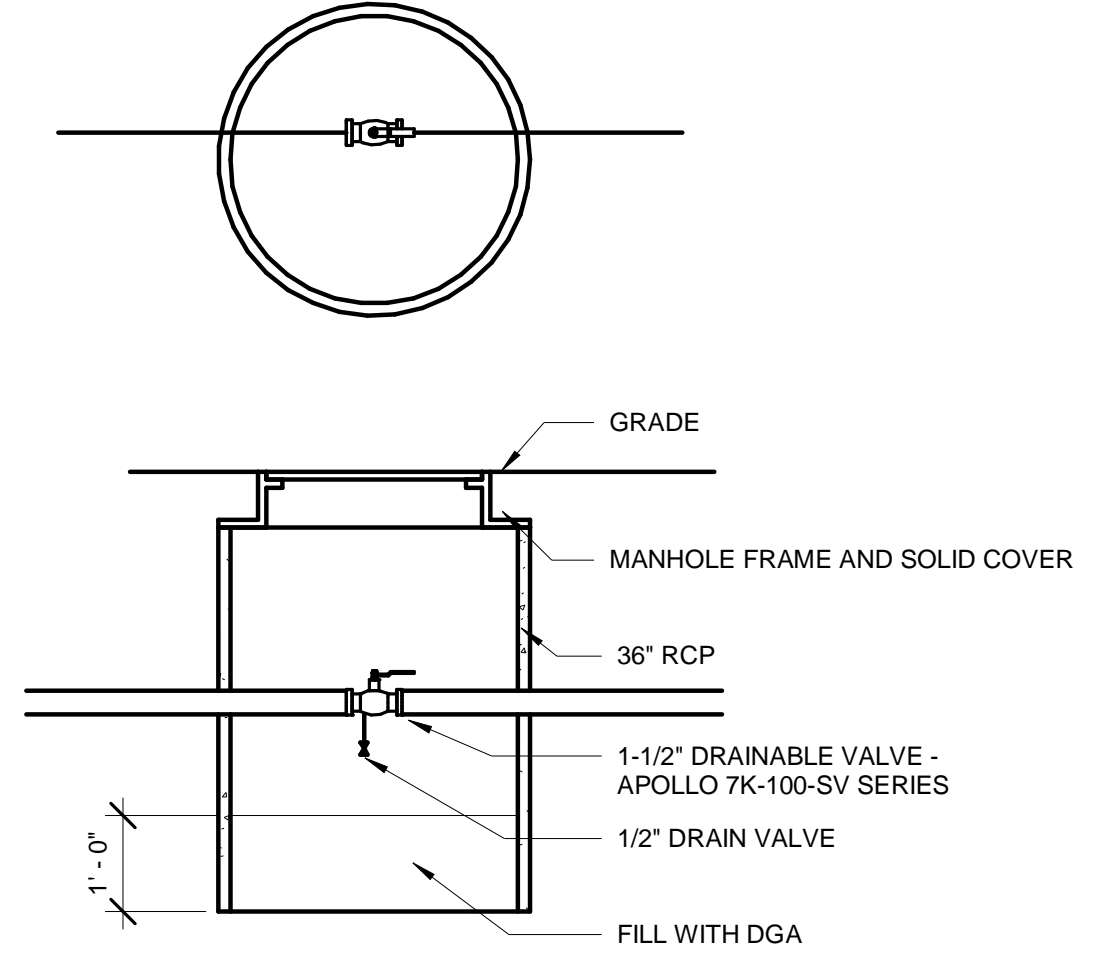
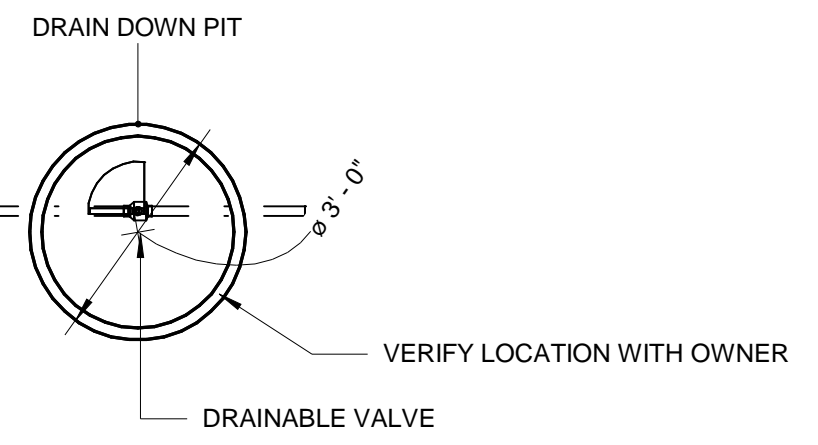
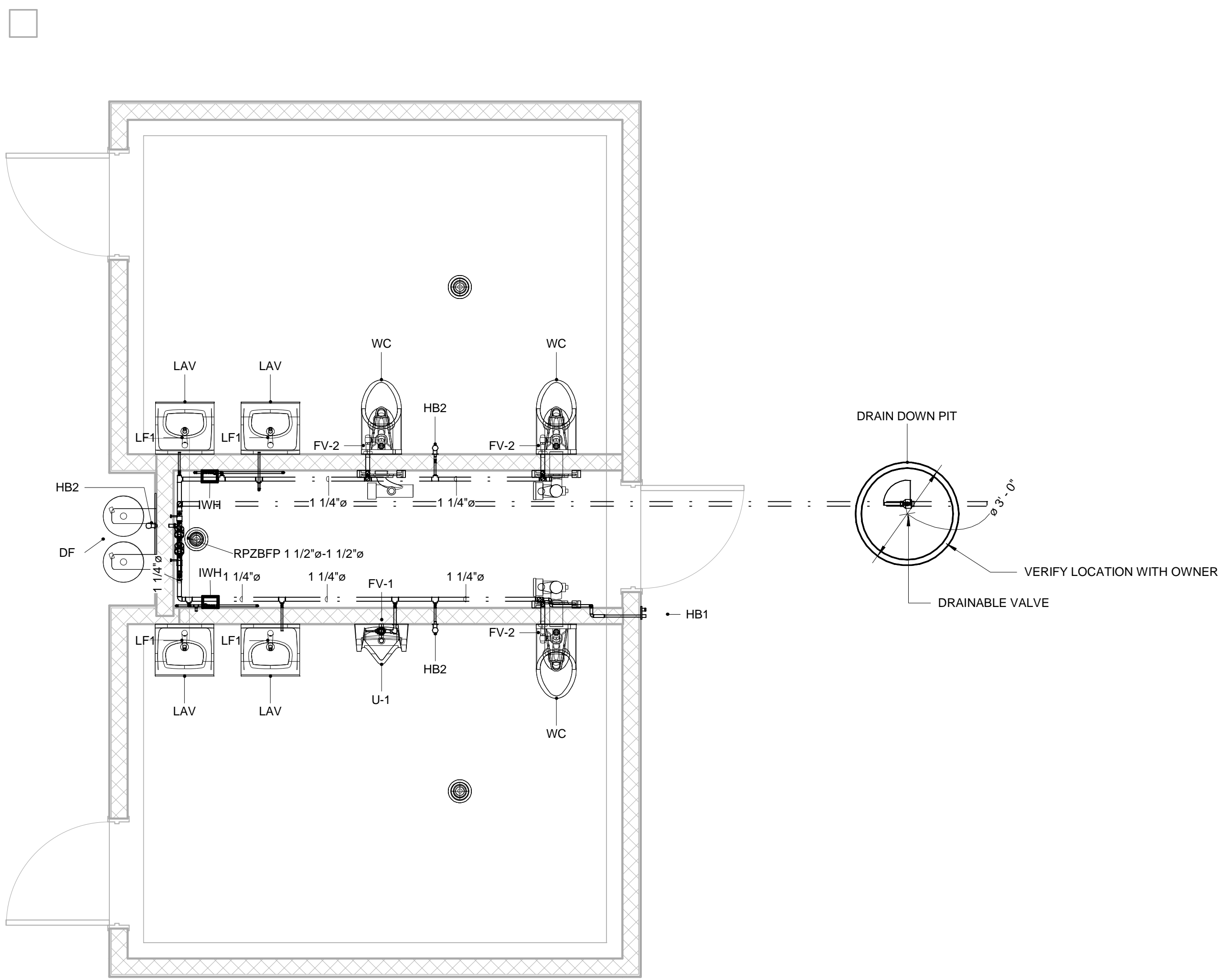
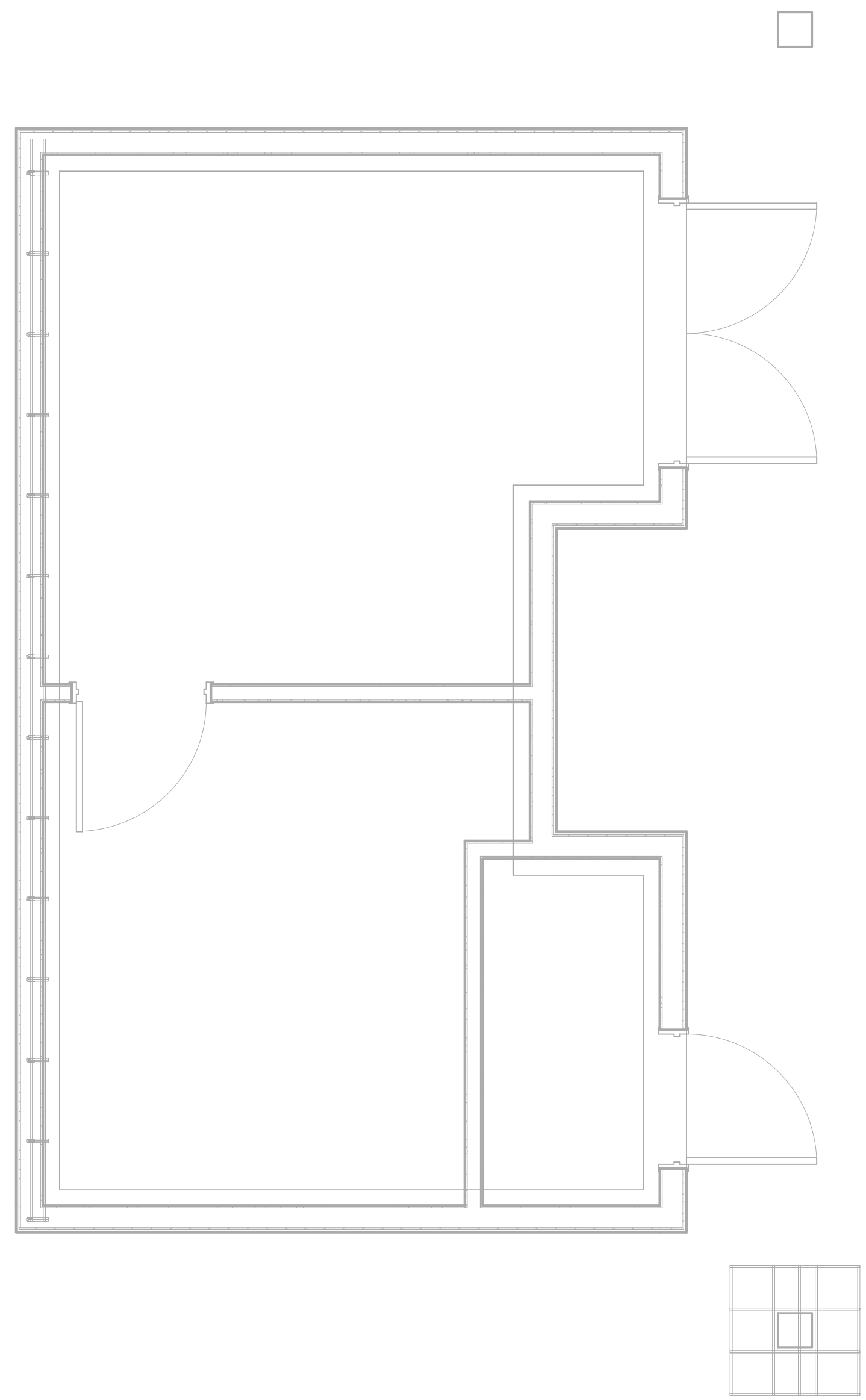




PLUMBING EQUIPMENT SCHEDULE						
Type Mark	Description	Family and Type	Type	Manufacturer	Model	ELECTRICAL CHARACTERISTICS
IWH	ProAdvantage Commercial Industrial Series 1 Electric Tankless Water Heater	Water_Heater-Electric-Eemax-ProAdvantage-Commercial_Industrial-Series_1: PA005240T	PA005240T	Eemax Inc.	PA005240T	240V/1PH/60HZ
IWH	ProAdvantage Commercial Industrial Series 1 Electric Tankless Water Heater	Water_Heater-Electric-Eemax-ProAdvantage-Commercial_Industrial-Series_1: PA005240T	PA005240T	Eemax Inc.	PA005240T	240V/1PH/60HZ



○ DRAIN DOWN PIT
1/2" = 1'-0"



A PROPOSED NEW CONSTRUCTION FOR
THE AMERICAN LEGION PARK
GOLF HOUSE
841 N MILES ST
ELIZABETHTOWN, KY 42701

REVISIONS

- △
- △
- △
- △
- △

DOCUMENT PHASE
CONSTRUCTION
DOCUMENTS
DATE ISSUED
8/15/2017

SHEET NAME
DOMESTIC
WATER PIPING
PLAN

P1.1

① 1 - Domestic Water Piping
3/8" = 1'-0"