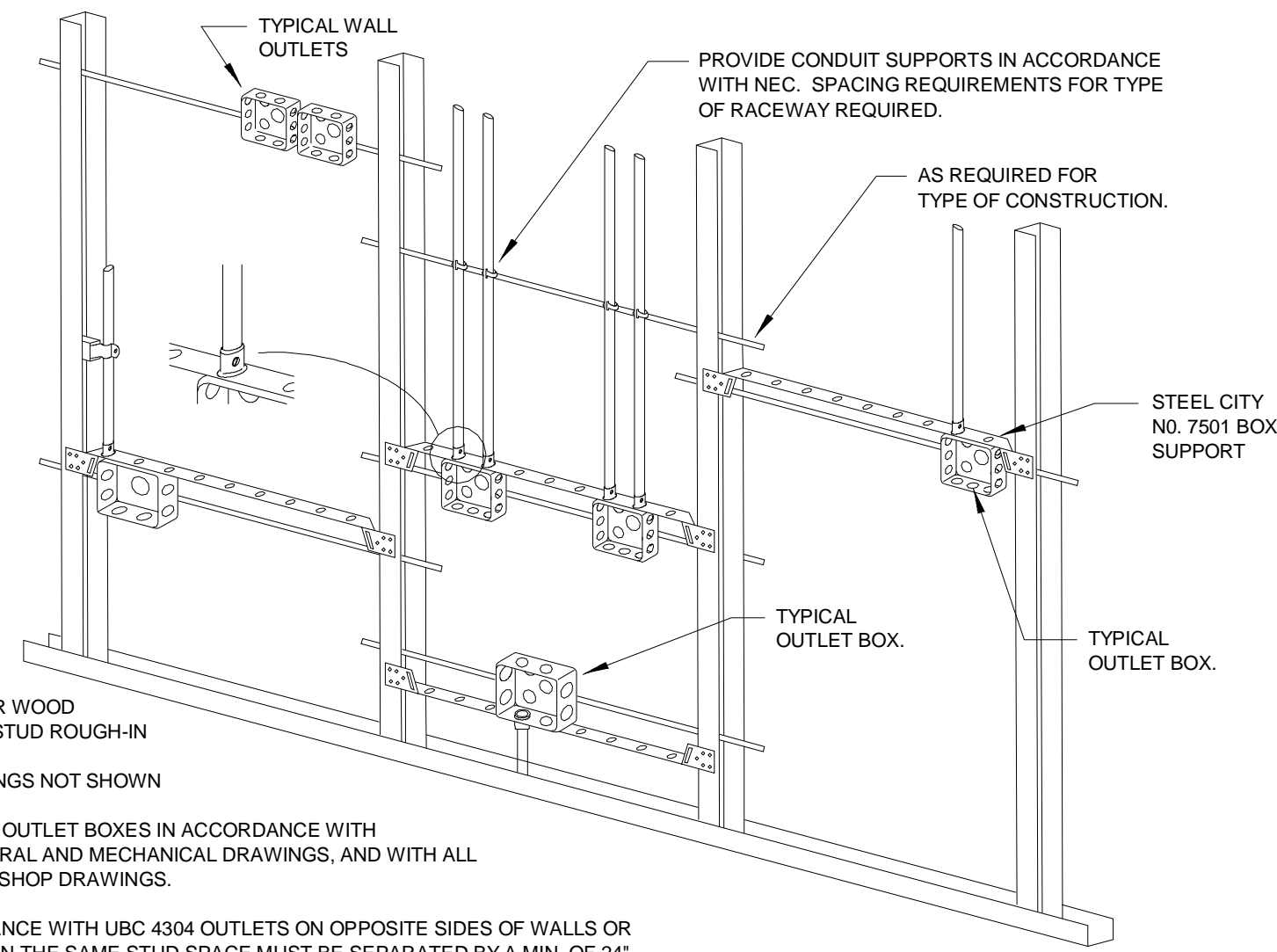


DETAIL - RECESSED TROFFER IN ACT CEILING



NOTES:

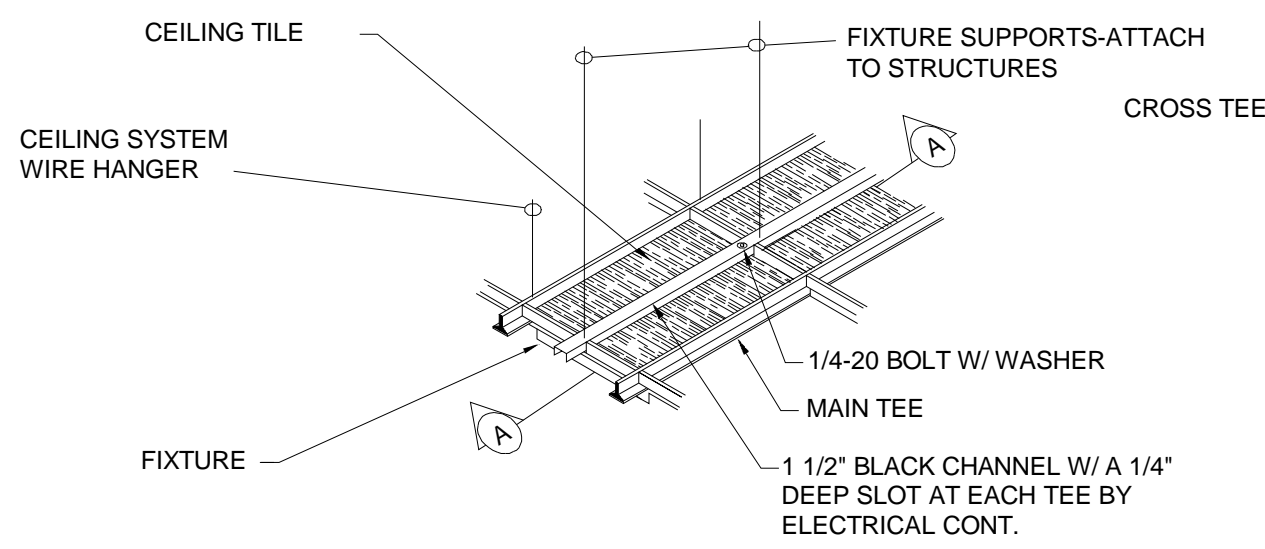
- ① TYPICAL FOR WOOD AND METAL STUD ROUGH-IN
- ② PLASTER RINGS NOT SHOWN
- ③ LOCATE ALL OUTLET BOXES IN ACCORDANCE WITH ARCHITECTURAL AND MECHANICAL DRAWINGS, AND WITH ALL APPLICABLE SHOP DRAWINGS.
- ④ IN ACCORDANCE WITH UBC 4304 OUTLETS ON OPPOSITE SIDES OF WALLS OR PARTITIONS IN THE SAME STUD SPACE MUST BE SEPARATED BY A MIN. OF 24" HORIZONTAL DISTANCE.

DETAIL - ELECTRICAL ROUGH-IN

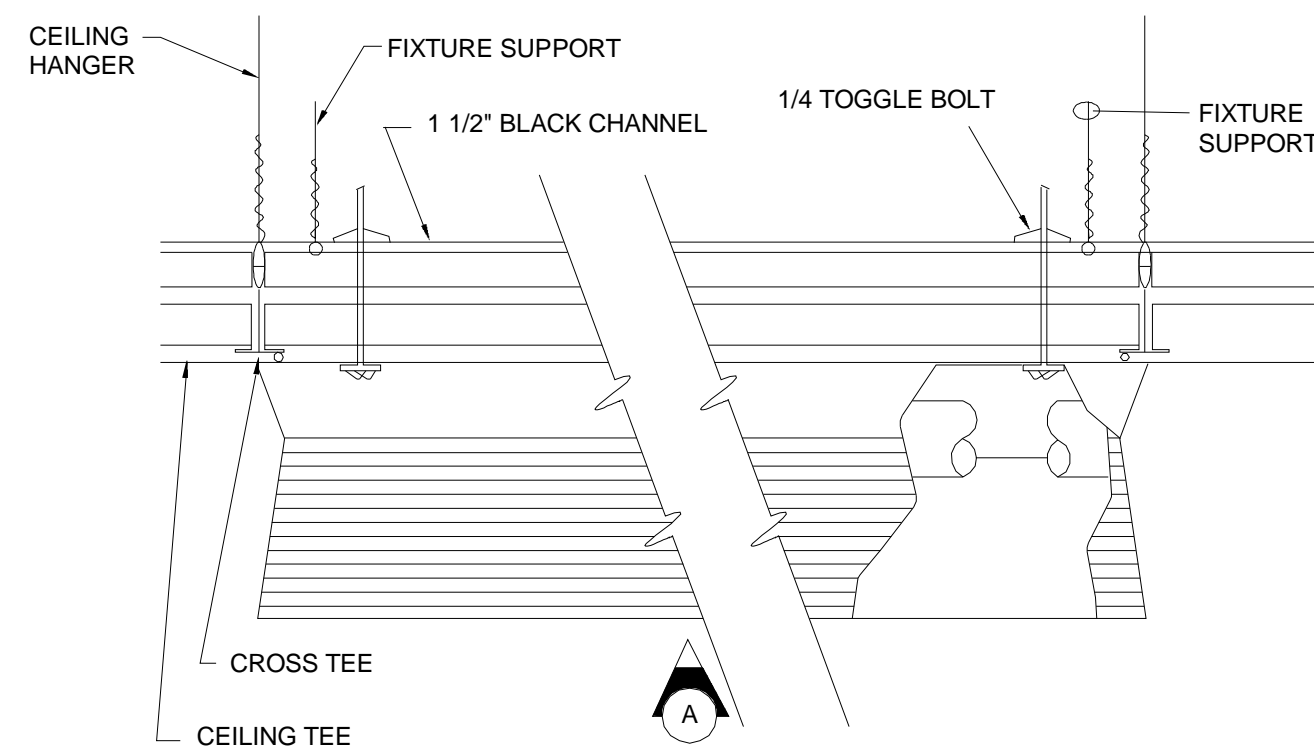
- 2 X 4 LAY-IN LIGHT FIXTURE
- 2 X 2 LAY-IN LIGHT FIXTURE
- EXTERIOR WALL PACK LIGHT FIXTURE
- RECESSED DOWNLIGHT
- EMERGENCY LIGHT
- EXIT SIGN WITH EMERGENCY LIGHT HEADS
- FIXTURE MARK (TAG) (NL) INDICATES NIGHT LIGHT

LEGEND - ELECTRICAL LIGHTING

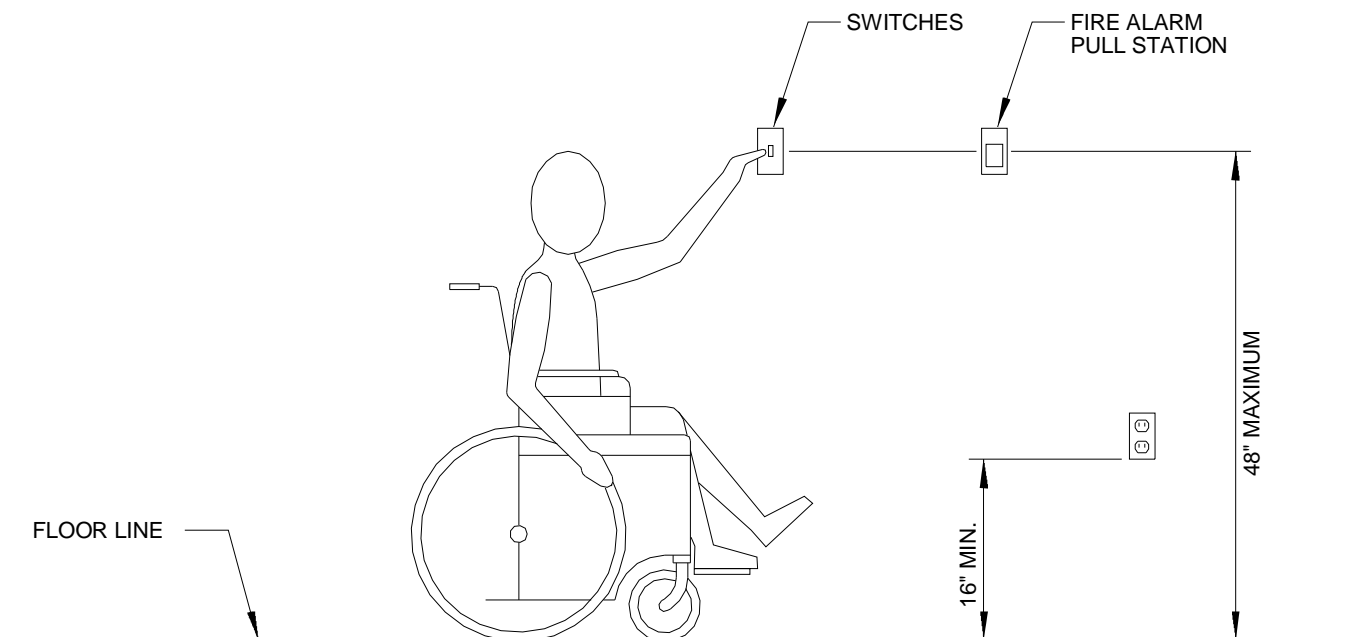
- SINGLE POLE LIGHT SWITCH
- 3-WAY LIGHT SWITCH
- DIMMER - LIGHT SWITCH
- OCCUPANCY SENSOR - LIGHT SWITCH



DETAIL - SURFACE MOUNTED LIGHT FIXTURE SUPPORTS

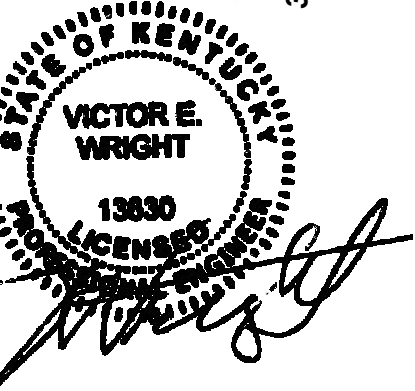


DETAIL - ADA MOUNTING HEIGHTS



- 120V DUPLEX RECEPTACLE
- 120V QUADPLEX RECEPTACLE
- 220V (208V) SIMPLEX RECEPTACLE
- 120V DUPLEX GFCI RECEPTACLE
- WEATHERPROOF DUPLEX RECEPTACLE

LEGEND - ELECTRICAL POWER WIRING



ELECTRICAL	
PROJECT	2016-1340
DATE	8/18/2017
DRAWN	VW
CHECKED	VW

REVISIONS	DATE	DESCRIPTION
No.		

ICON ENGINEERING AND INSPECTION SERVICES, PLLC HAS RETAINED AN ELECTRONIC VERSION OF THESE DRAWINGS. THE CLIENT AGREES NOT TO REPRODUCE, REUSE, OR COPY THESE DRAWINGS IN ELECTRONIC OR ANY OTHER FORMAT IN WHOLE OR IN PART FOR ANY PURPOSE OTHER THAN FOR THE SPECIFIC PROJECT LOCATION NOTED IN THE PROJECT TITLE BLOCK. THE CLIENT AGREES NOT TO TRANSFER THESE ELECTRONIC FILES TO OTHERS WITHOUT THE PRIOR WRITTEN CONSENT OF ICON ENGINEERING AND INSPECTION SERVICES, PLLC. THE CLIENT FURTHER AGREES TO WAIVE ALL CLAIMS AGAINST ICON ENGINEERING AND INSPECTION SERVICES, PLLC RESULTING IN ANY WAY FROM ANY UNAUTHORIZED CHANGES TO OR REUSE OF THE ELECTRONIC FILES FOR ANY OTHER PROJECT BY ANYONE OTHER THAN ICON ENGINEERING AND INSPECTION SERVICES, PLLC.