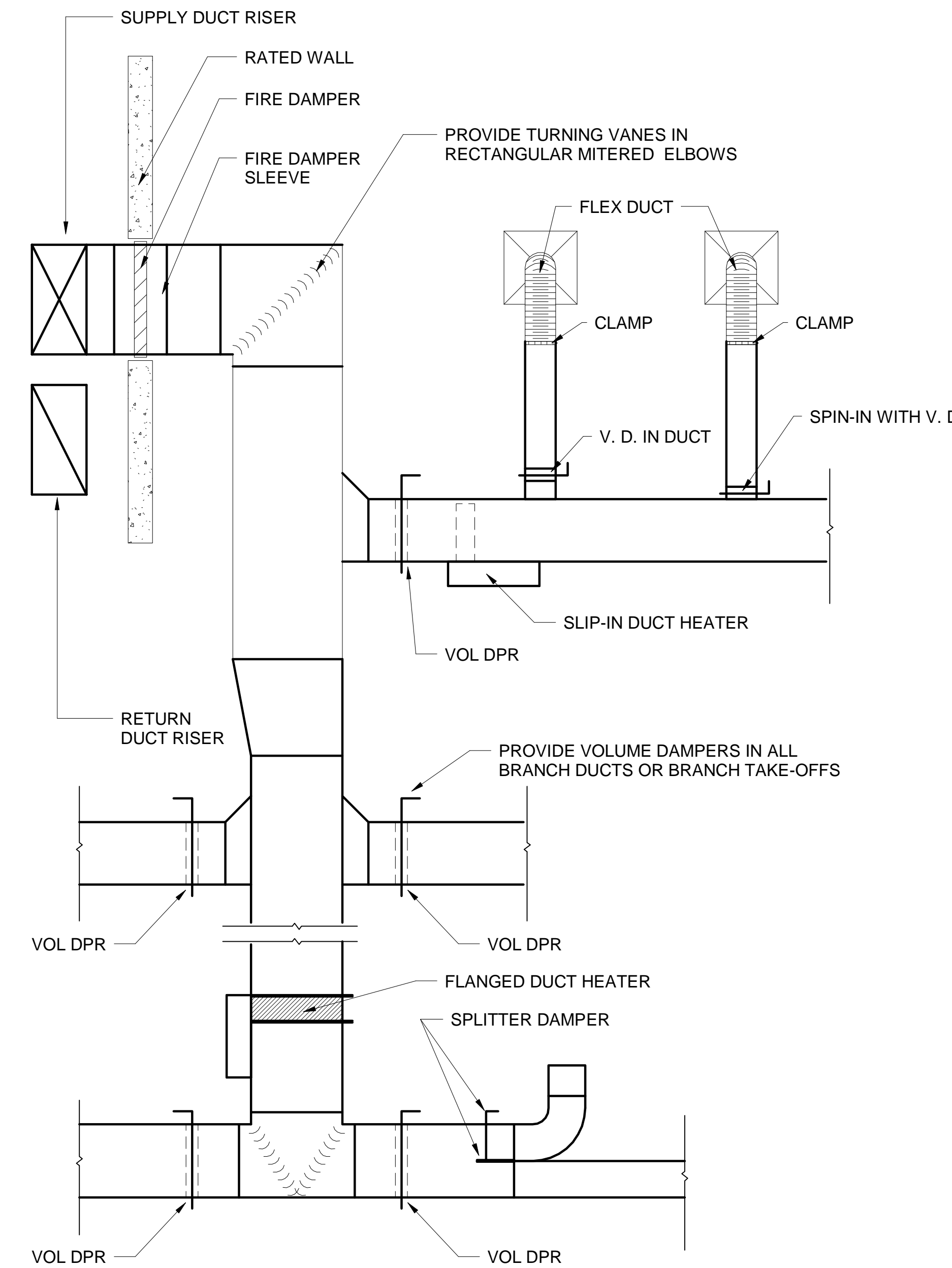
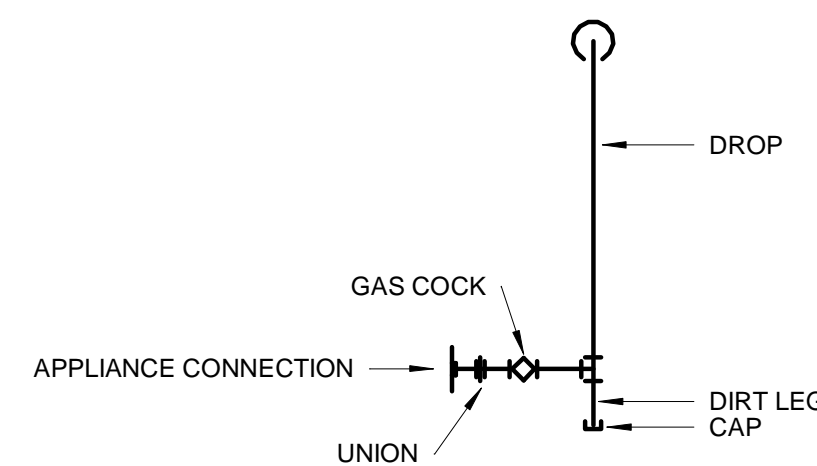
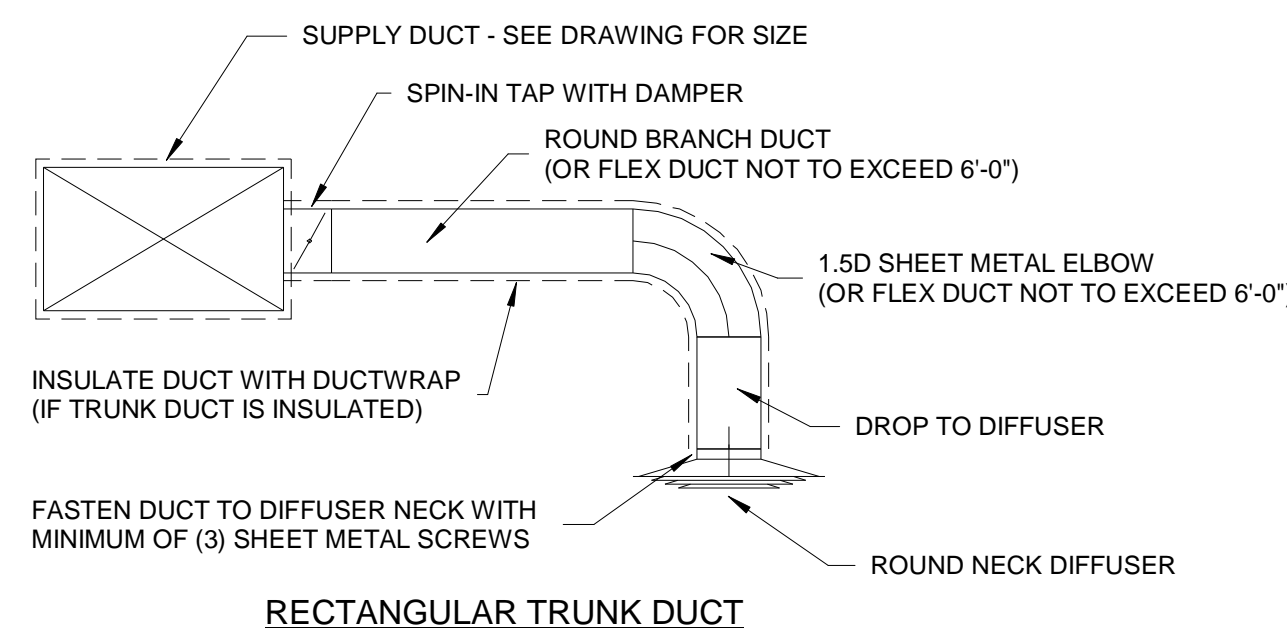
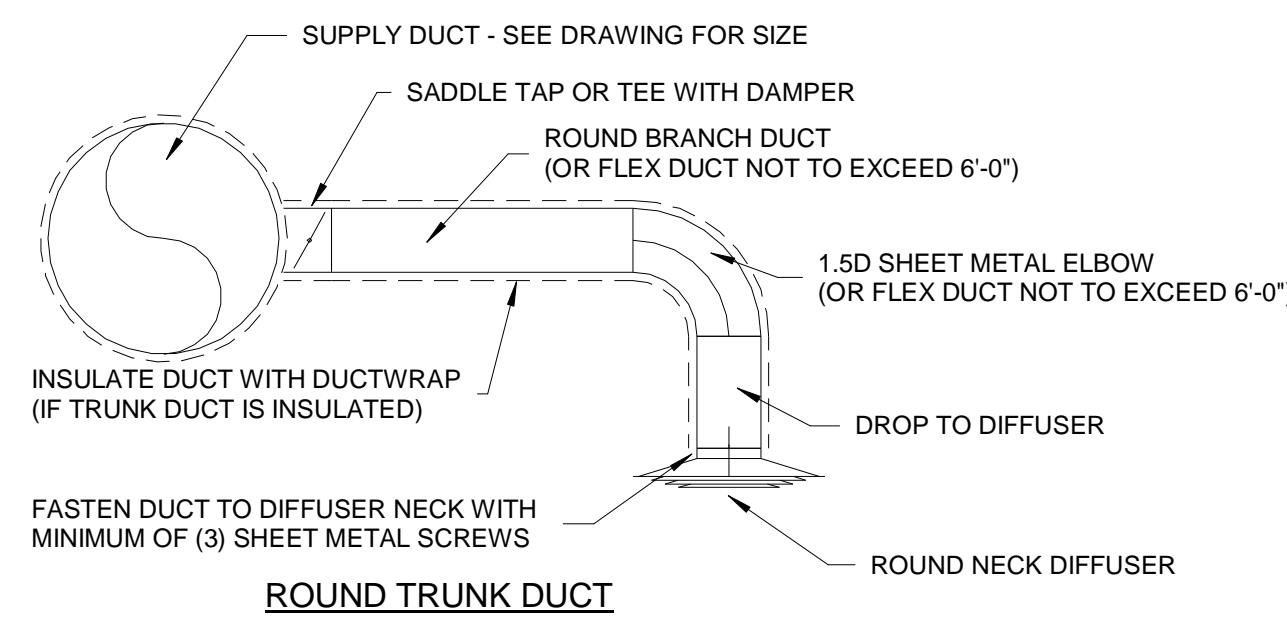


HVAC EQUIPMENT SCHEDULE													
Type Mark	Description	Manufacturer	Model	NOMINAL TONNAGE	HEATING OUTPUT	SUPPLY AIR FLOW	ESP	RETURN AIR FLOW	OUTSIDE AIR FLOW	ELECTRICAL CHARACTERISTICS	MCA	MOCP	Type Comments
5T HP	COMFORT 15 Series Heat Pump with Puron Refrigerant	Carrier Corporation	25VNA060	60000.0 Btu/h						240v/1PH/60HZ	34 A	50 A	
UH-1	gas fired hydronic unit heater with separate combustion and drain	Modine	PTC 55AS01										
GF-1	98% EFFICIENT GAS FURNACE	Carrier Corporation	59MN7A120V24-22	60000.0 Btu/h	117000.0 Btu/h	2000 CFM	0.50 in-wg	1600 CFM	400 CFM	120V/1PH/60HZ	15 A	20 A	

EXHAUST FAN SCHEDULE									
Type Mark	Description	Family and Type	Manufacturer	Model	Air Flow Rate	Static Pressure	Sones	Voltage	
EF1	Model SP is available in both deluxe and premium designs. The premium design offers the lowest sound and insulated housing. The deluxe design has low sound and is a low profile unit.	Ceiling-Exhaust-SP-A: SP-A290	Greenheck	SP-A290	225 CFM	0.13 in-wg	2.5	120 V	
EF1	Model SP is available in both deluxe and premium designs. The premium design offers the lowest sound and insulated housing. The deluxe design has low sound and is a low profile unit.	Ceiling-Exhaust-SP-A: SP-A290	Greenheck	SP-A290	225 CFM	0.13 in-wg	2.5	120 V	

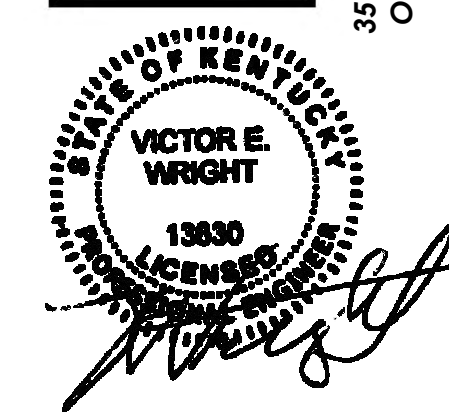
AIR TERMINAL SCHEDULE (GRD)													
Mark	Type Mark	Description	Manufacturer	Model	Size	CFM	System Name	Keynote	Throw	Supply Air Flow	AIR TERMINAL TYPE	Supply Airflow	
5	CD-8	High Performance Square Cone Diffuser	Titus	TMS-08-24x24-3-26	8"ø	100 CFM	SA 1			100 CFM	GRD		
6	CD-8	High Performance Square Cone Diffuser	Titus	TMS-08-24x24-3-26	8"ø	225 CFM	SA 1			225 CFM	GRD		
7	CD-8	High Performance Square Cone Diffuser	Titus	TMS-08-24x24-3-26	8"ø	225 CFM	SA 1			225 CFM	GRD		
8	16x8 SAR	Double Deflection Supply Register	Titus		16"x8"	300 CFM	SA 1				GRD		
11	16x8 SAR	Double Deflection Supply Register	Titus		16"x8"	300 CFM	SA 1				GRD		
12	16x8 SAR	Double Deflection Supply Register	Titus		16"x8"	300 CFM	SA 1				GRD		



DETAIL - DUCTWORK
SCALE: 3/8" = 1'-0"

DETAIL - DIFFUSER CONNECTION
SCALE: 1/2" = 1'-0"

DETAIL - NATURAL GAS CONNECTION
SCALE: 1" = 1'-0"



BID DOCUMENTS
FREEMAN LAKE PARK OFFICE
ELIZABETHTOWN, KY 42701



MECHANICAL	
PROJECT	2016-1340
DATE	8/18/2017
DRAWN	VW
CHECKED	VW
REVISIONS	
No.	Description

ICON ENGINEERING AND INSPECTION SERVICES, PLLC HAS RETAINED AN ELECTRONIC VERSION OF THESE DRAWINGS. THE CLIENT AGREES NOT TO REPRODUCE, REUSE, OR COPY THESE DRAWINGS IN ELECTRONIC OR ANY OTHER FORMAT IN WHOLE OR IN PART FOR ANY PURPOSE OTHER THAN FOR THE SPECIFIC PROJECT LOCATION NOTED IN THE PROJECT TITLE BLOCK. THE CLIENT AGREES NOT TO TRANSFER THESE ELECTRONIC FILES TO OTHERS WITHOUT THE PRIOR WRITTEN CONSENT OF ICON ENGINEERING AND INSPECTION SERVICES, PLLC. THE CLIENT FURTHER AGREES TO WAIVE ALL CLAIMS AGAINST ICON ENGINEERING AND INSPECTION SERVICES, PLLC RESULTING IN ANY WAY FROM ANY UNAUTHORIZED CHANGES TO OR REUSE OF THE ELECTRONIC FILES FOR ANY OTHER PROJECT BY ANYONE OTHER THAN ICON ENGINEERING AND INSPECTION SERVICES, PLLC.

MECHANICAL SCHEDULES
M-600