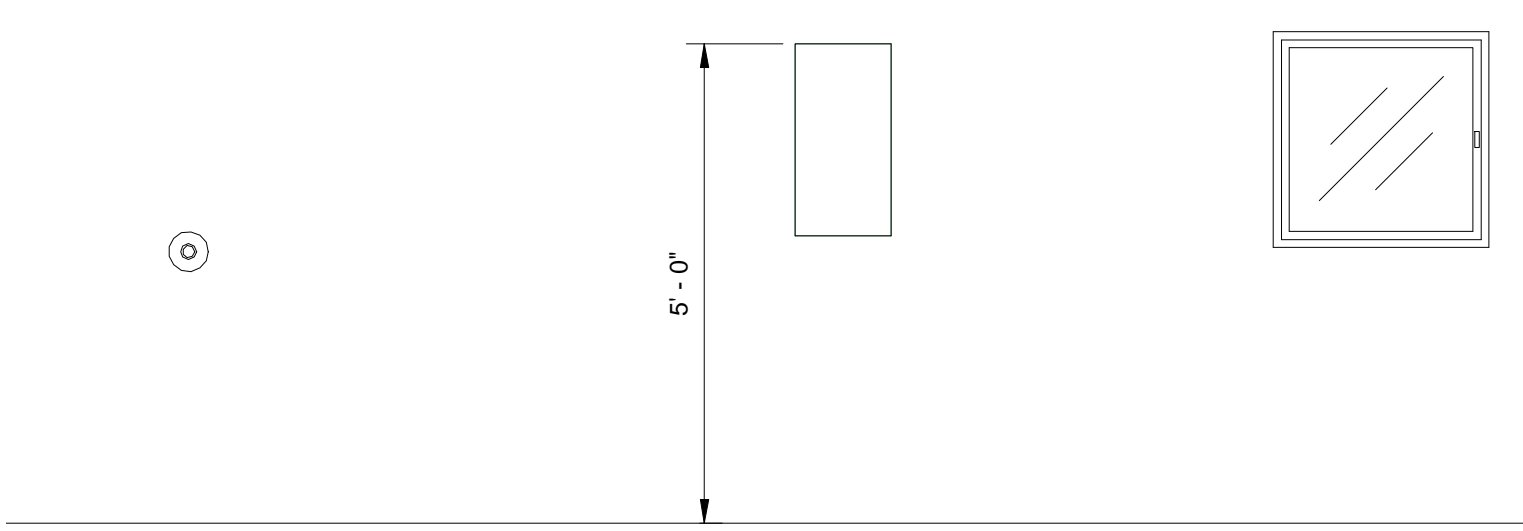


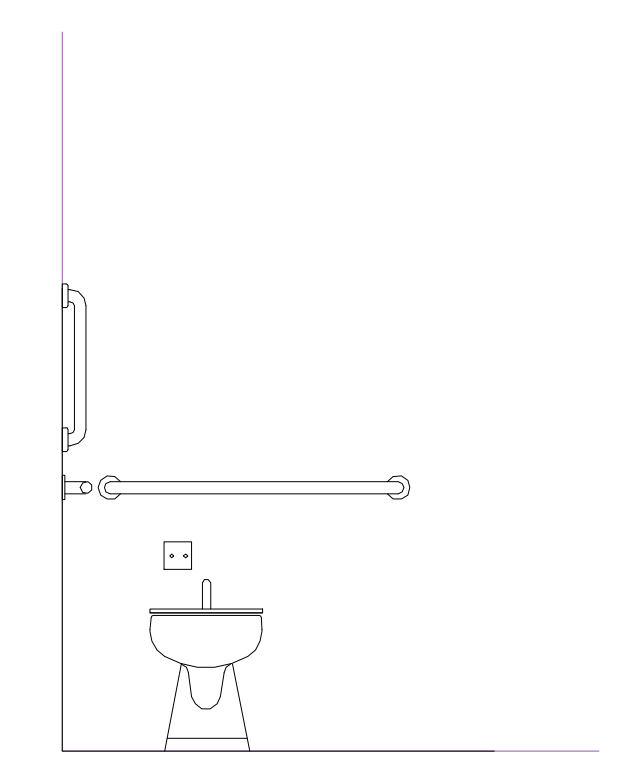


GENERAL NOTES

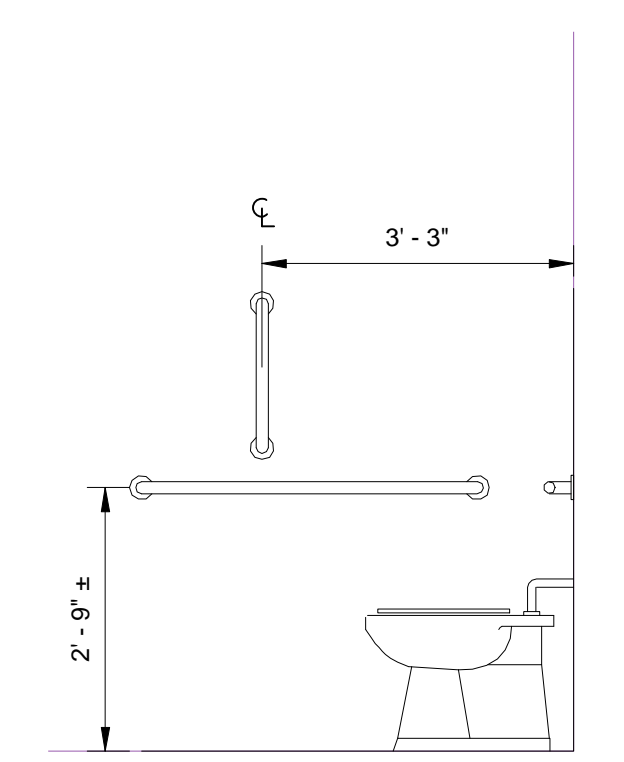
1. ALL ACCESSORIES SHOWN HERE MAY NOT BE USED IN THIS PROJECT.
2. THESE ARE TYPICAL MOUNTING HEIGHTS FOR ACCESSORIES. SEE PLANS AND ELEVATIONS FOR SPECIFIC CONDITIONS AND ADDITIONAL INFORMATION
3. MOUNT ALL ACCESSORIES PER MANUFACTURERS MOUNTING HEIGHT WHEN ACCESSIBILITY IS NOT REQUIRED
4. SECURE ACCESSORIES TO WALL ONLY WHERE ADEQUATE IN-WALL BLOCKING EXISTS
5. MOUNTING HEIGHT REQUIREMENTS FOR WASHROOM ACCESSORIES MAY VARY WITHIN A FACILITY DEPENDING ON THE LOCATION OF INDIVIDUAL ACCESSORIES AND THE DIRECTION OF REACH REQUIRED FOR THEIR USE
6. TO ALLOW SIDE REACH BY PEOPLE IN WHEELCHAIRS, IT IS RECOMMENDED THAT ACCESSORIES BE MOUNTED WITH THEIR DISPENSING MECHANISMS, START BUTTONS, COIN SLOTS, OR DISPENSER OPENINGS LOCATED 38" TO 54" AFF. TO ENSURE FORWARD REACH ALSO, THEY MUST BE LOCATED NO MORE THAN 48" MAXIMUM FOR BOTH SIDE AND FORWARD REACHES. WHERE ELEMENTS ARE MOUNTED OVER OBSTRUCTIONS, SUCH AS COUNTERS, IT IS RECOMMENDED THAT THEY BE LOCATED NO MORE THAN 44" AFF. HOWEVER, DEPENDING ON THE DEPTH OF THE OBSTRUCTION, THESE CAN BE MOUNTED AS HIGH AS 48" FOR FORWARD APPROACH AND 54" FOR SIDE APPROACH.



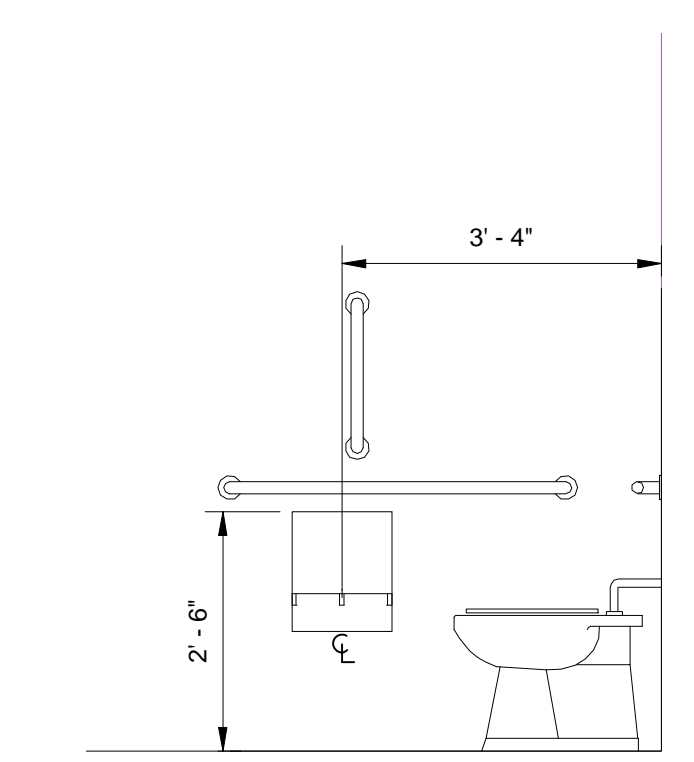
WALL MOUNTED DOOR STOP FIRE EXTINGUISHER CABINET FIRE VALVE CABINET



GRAB BARS - BACK WALL



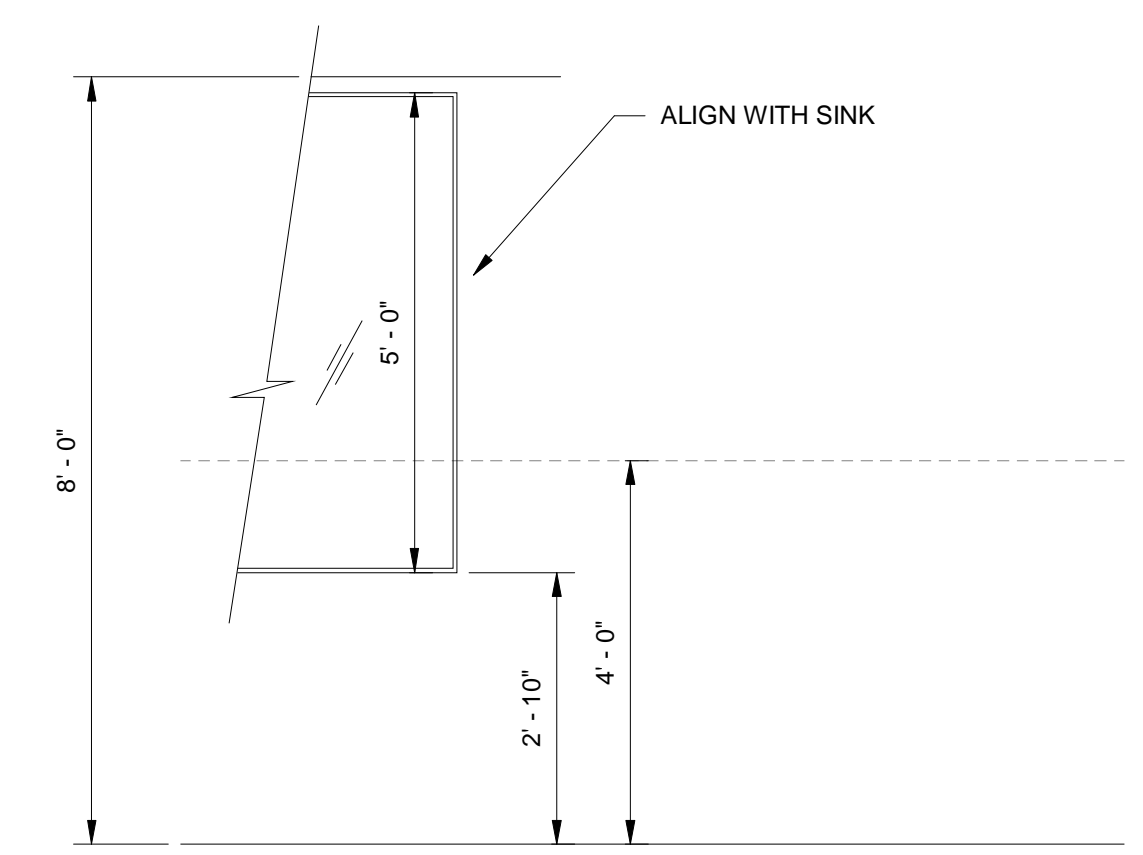
GRAB BARS - SIDE WALL



TA1
DOUBLE-ROLL TOILET TISSUE DISPENSER

- TA1S = SURFACE MOUNTED
- TA1R = RECESSED
- TA1P = PARTITION MOUNTED

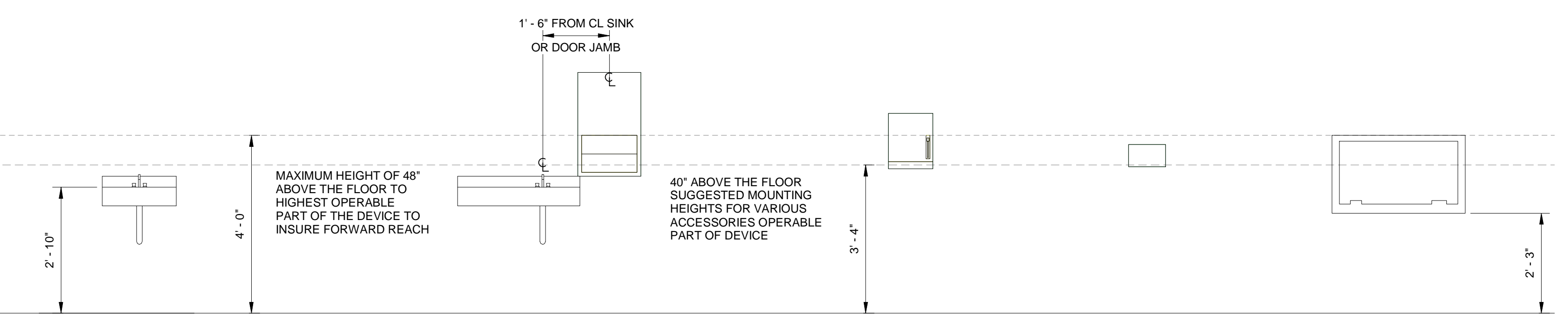
NOTE:
TOILET TISSUE DISPENSER SHALL BE INSTALLED BENEATH HORIZONTAL GRAB BAR 7'-9" BEYOND THE FRONT EDGE OF WATER CLOSET



TA12
MIRRORS

- TA12a = DIMENSION
- TA12b = DIMENSION
- TA12c = DIMENSION

NOTE:
SEAT HEIGHT SHALL BE BETWEEN 17"-19" AFF WALL OR FLOOR MOUNT. SEE PLUMBING.



SINK

NOTE:
EXPOSED PIPES SHALL BE INSULATED OR CONFIGURED TO PROTECT AGAINST CONTACT

TA7
PAPER TOWEL DISPENSER

- TA7S = SURFACE MOUNTED
- TA7R = RECESSED
- TA7SR = SEMI RECESSED

TA8
ROLL PAPER TOWEL DISPENSER

- TA8S = SURFACE MOUNTED
- TA8R = RECESSED
- TA8SR = SEMI RECESSED

TA10
SOAP DISPENSER

- TA10S = SURFACE MOUNTED
- TA10R = RECESSED

TA15
BABY CHANGING STATION

MAXIMUM HEIGHT OF 48" ABOVE THE FLOOR TO HIGHEST OPERABLE PART OF THE DEVICE TO INSURE FORWARD REACH

40" ABOVE THE FLOOR SUGGESTED MOUNTING HEIGHTS FOR VARIOUS ACCESSORIES OPERABLE PART OF DEVICE

1'-6" FROM CL SINK OR DOOR JAMB

1 ACCESSORY MOUNTING DETAILS
SCALE: 1/2" = 1'-0"

BID DOCUMENTS
FREEMAN LAKE PARK OFFICE
ELIZABETHTOWN, KY 42701



ARCHITECTURAL

PROJECT	2016-1340
DATE	8/18/2017
DRAWN	MSC
CHECKED	LEA

NO.	REVISIONS	DATE
	Description	

ICON ENGINEERING AND INSPECTION SERVICES, PLLC HAS RETAINED AN ELECTRONIC VERSION OF THESE DRAWINGS. THE CLIENT AGREES NOT TO REPRODUCE, REUSE, OR COPY THESE DRAWINGS IN ELECTRONIC OR ANY OTHER FORMAT. IN WHOLE OR IN PART, FOR ANY PURPOSE OTHER THAN FOR THE SPECIFIC PROJECT LOCATION NOTED IN THE PROJECT TITLE BLOCK. THE CLIENT AGREES NOT TO TRANSFER THESE ELECTRONIC FILES TO OTHERS WITHOUT THE PRIOR WRITTEN CONSENT OF ICON ENGINEERING AND INSPECTION SERVICES, PLLC. THE CLIENT FURTHER AGREES TO WAIVE ALL CLAIMS AGAINST ICON ENGINEERING AND INSPECTION SERVICES, PLLC RESULTING IN ANY WAY FROM ANY UNAUTHORIZED CHANGES TO OR REUSE OF THE ELECTRONIC FILES FOR ANY OTHER PROJECT BY ANYONE OTHER THAN ICON ENGINEERING AND INSPECTION SERVICES, PLLC.

ACCESSORY DETAILS

A-503