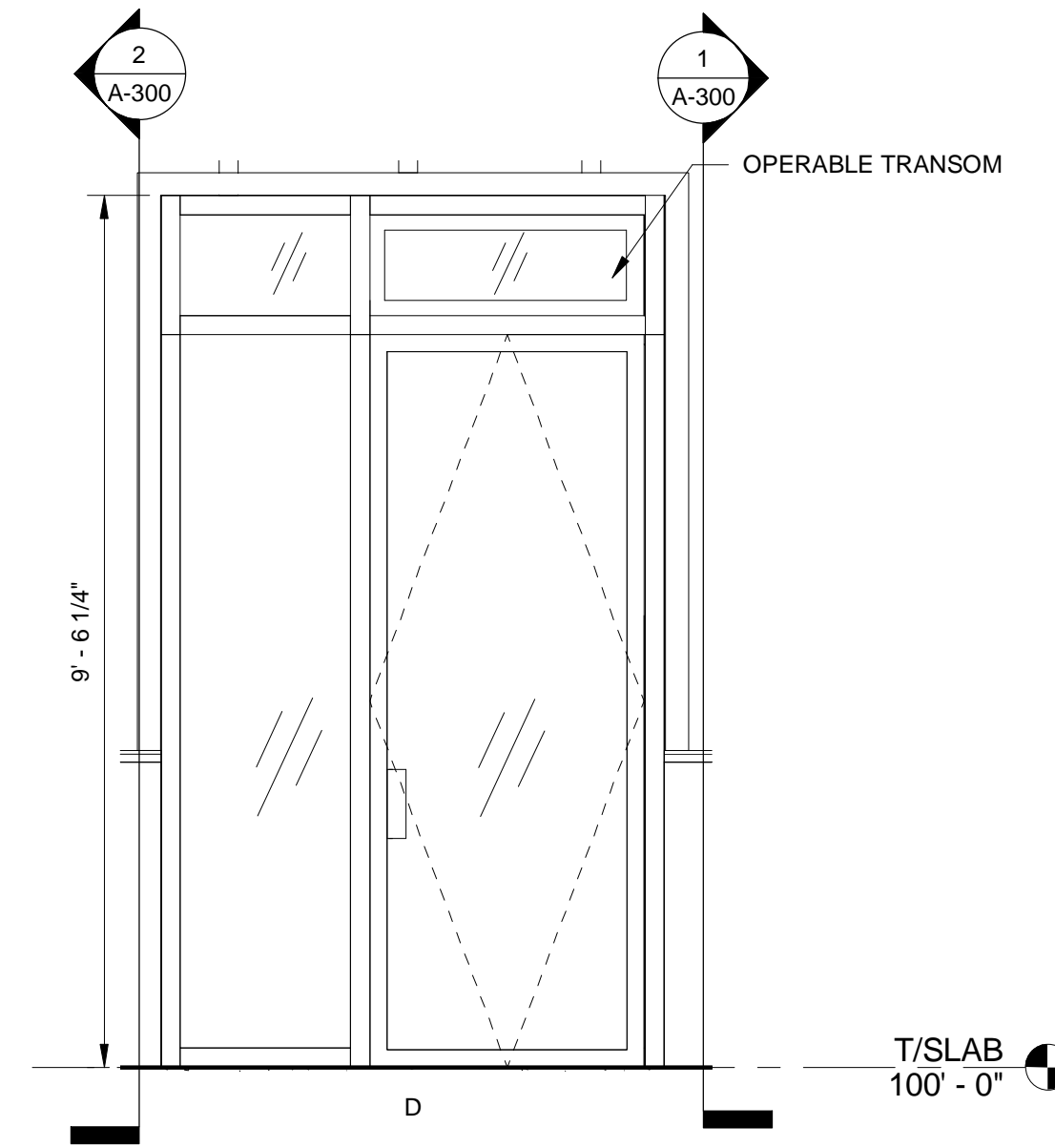
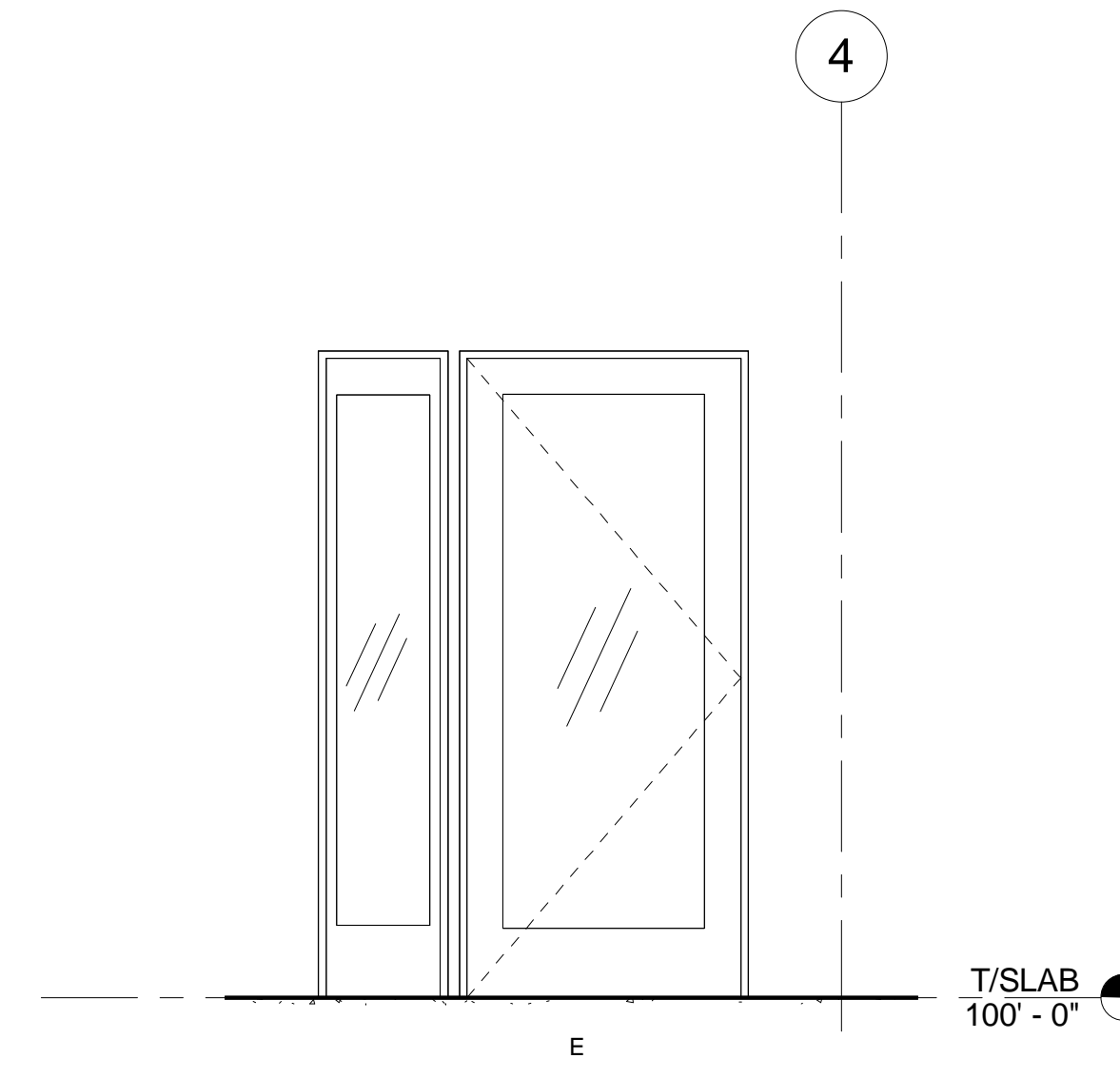


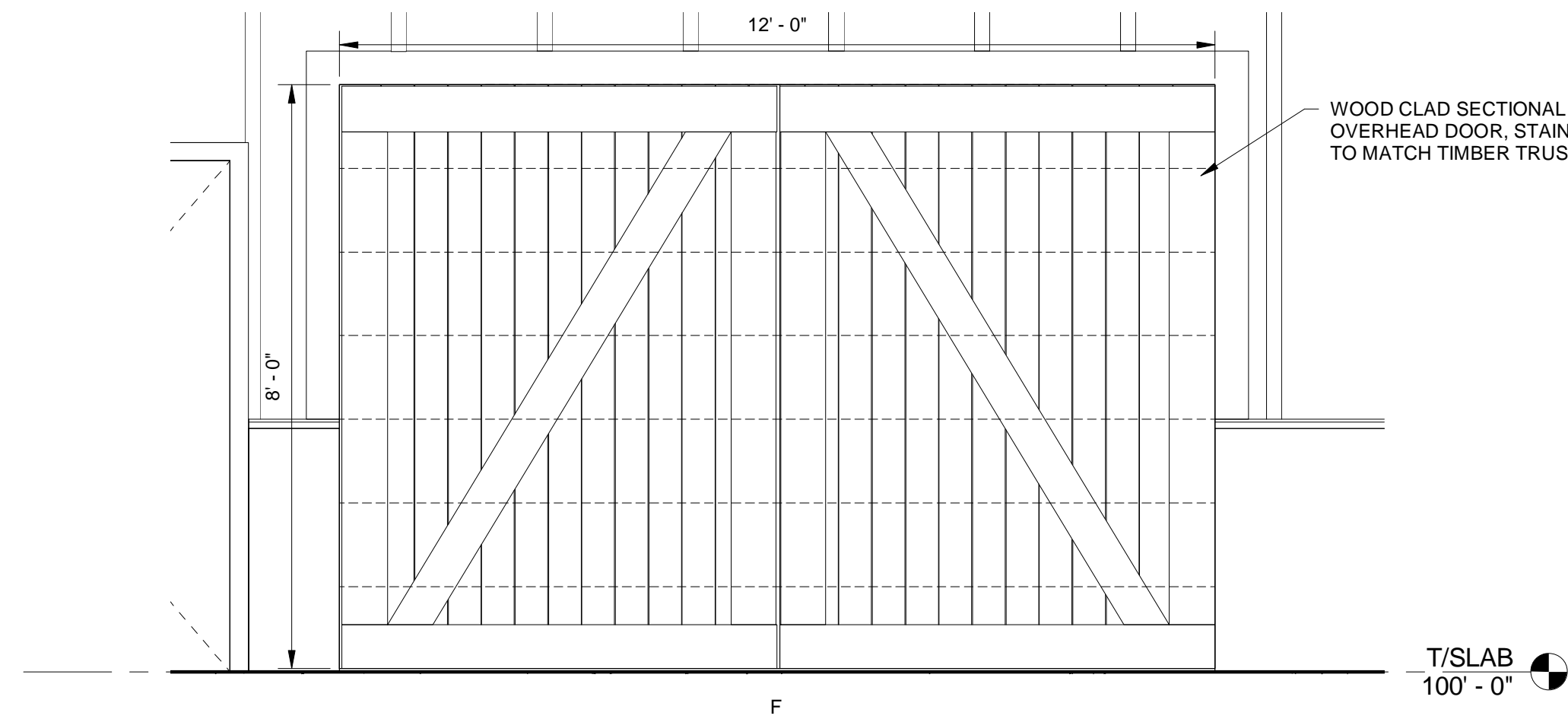
1 HOLLOW METAL DOOR ELEVATIONS - TYPE A, B, & C
SCALE: 1/2" = 1'-0"



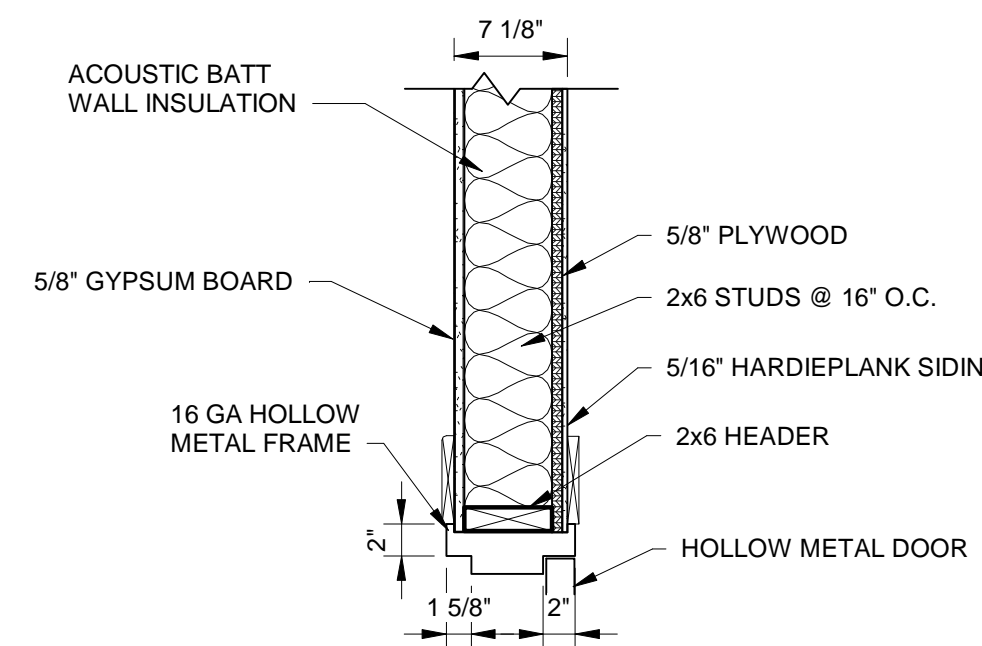
2 LOBBY DOOR ELEVATION - TYPE D
SCALE: 1/2" = 1'-0"



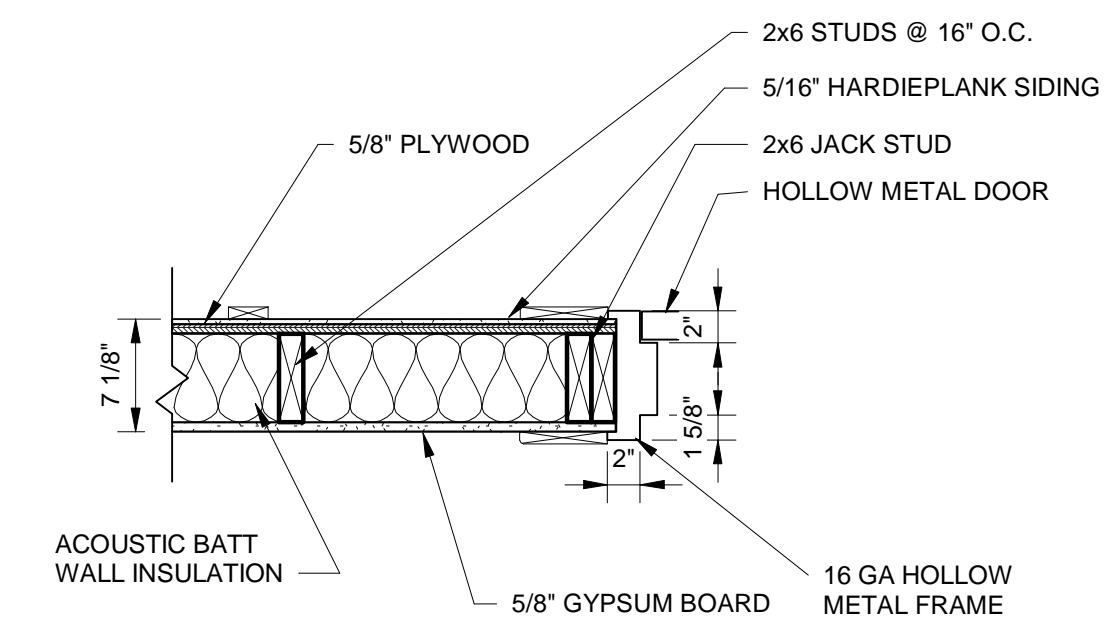
3 OFFICE DOOR ELEVATION - TYPE E
SCALE: 1/2" = 1'-0"



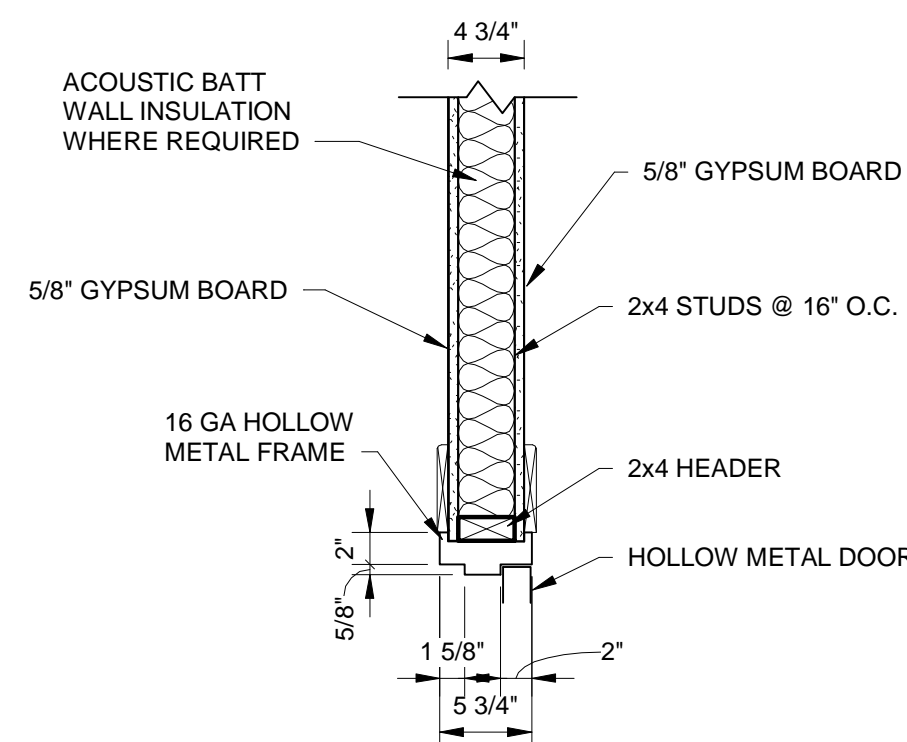
4 GARAGE DOOR ELEVATION
SCALE: 1/2" = 1'-0"



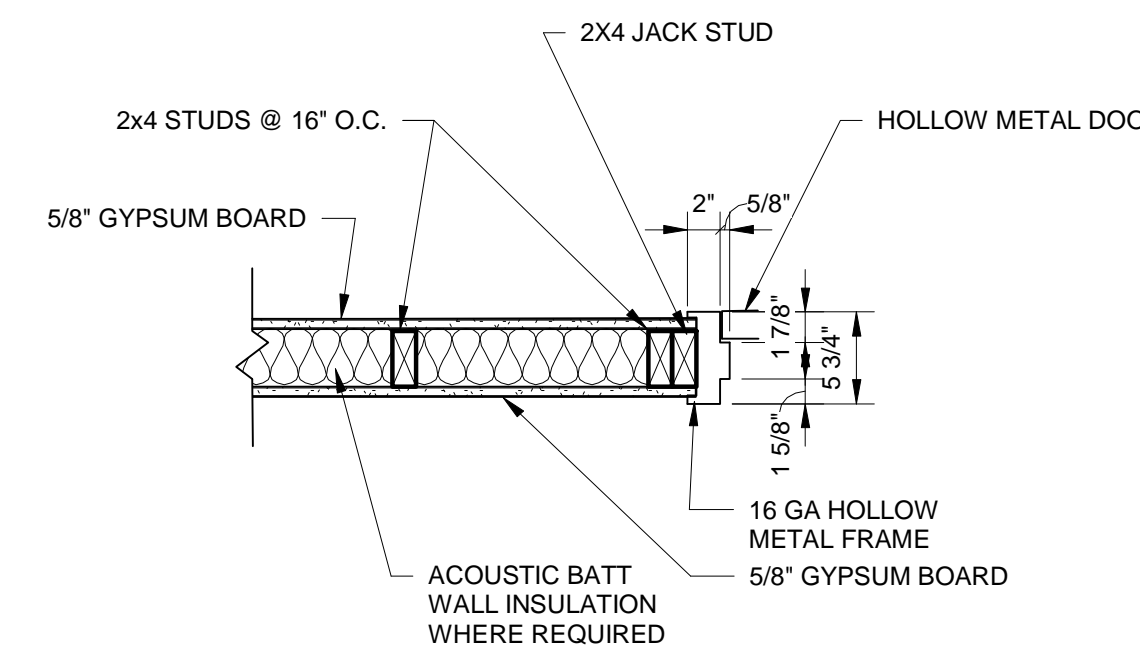
5 EXTERIOR DOOR HEAD DETAILS
SCALE: 1" = 1'-0"



6 EXTERIOR DOOR JAMB DETAIL
SCALE: 1" = 1'-0"



7 INTERIOR DOOR HEAD DETAIL
SCALE: 1" = 1'-0"



8 INTERIOR DOOR JAMB DETAIL
SCALE: 1" = 1'-0"



ARCHITECTURAL	
PROJECT	2016-1340
DATE	8/18/2017
DRAWN	LEA
CHECKED	MSC
REVISIONS	
No.	Description

ICON ENGINEERING AND INSPECTION SERVICES, PLLC HAS RETAINED AN ELECTRONIC VERSION OF THESE DRAWINGS. THE CLIENT AGREES NOT TO REPRODUCE, REUSE, OR COPY THESE DRAWINGS IN ELECTRONIC OR ANY OTHER FORMAT. THE CLIENT AGREES NOT TO TRANSFER THESE ELECTRONIC FILES TO OTHERS WITHOUT THE PRIOR WRITTEN CONSENT OF ICON ENGINEERING AND INSPECTION SERVICES, PLLC. THE CLIENT FURTHER AGREES TO WAIVE ALL CLAIMS AGAINST ICON ENGINEERING AND INSPECTION SERVICES, PLLC RESULTING IN ANY WAY FROM ANY UNAUTHORIZED CHANGES TO OR REUSE OF THE ELECTRONIC FILES FOR ANY OTHER PROJECT BY ANYONE OTHER THAN ICON ENGINEERING AND INSPECTION SERVICES, PLLC.

DOOR ELEVATIONS & DETAILS

A-502
© 2017 ICON ENGINEERING