



**BID DOCUMENTS**  
**FREEMAN LAKE PARK OFFICE**  
ELIZABETHTOWN, KY 42701



**ARCHITECTURAL**

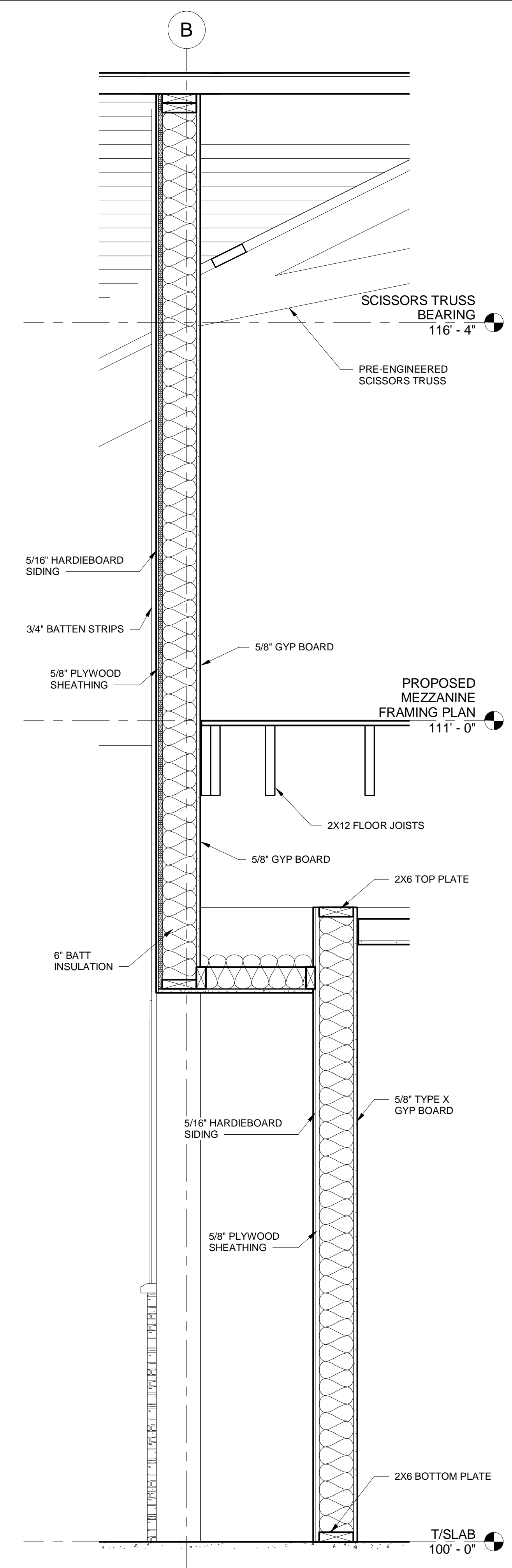
|         |           |
|---------|-----------|
| PROJECT | 2016-1340 |
| DATE    | 8/18/2017 |
| DRAWN   | LEA       |
| CHECKED | MSC       |

| NO. | DATE | DESCRIPTION |
|-----|------|-------------|
|     |      |             |
|     |      |             |
|     |      |             |

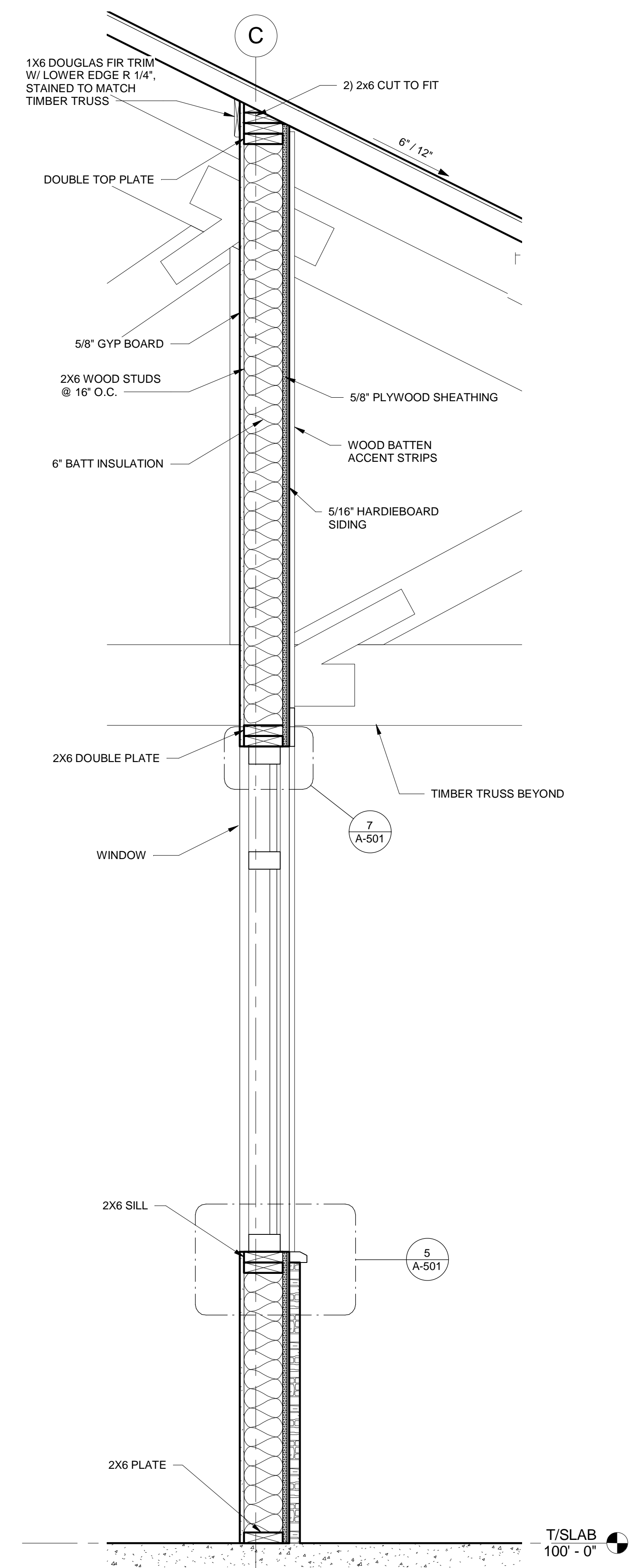
ICON ENGINEERING AND INSPECTION SERVICES, PLLC HAS RETAINED AN ELECTRONIC VERSION OF THESE DRAWINGS. THE CLIENT AGREES NOT TO REPRODUCE, REUSE, OR COPY THESE DRAWINGS IN ELECTRONIC OR ANY OTHER FORMAT. THE CLIENT AGREES NOT TO TRANSFER THESE ELECTRONIC FILES TO OTHERS WITHOUT THE PRIOR WRITTEN CONSENT OF ICON ENGINEERING AND INSPECTION SERVICES, PLLC. THE CLIENT FURTHER AGREES TO WAIVE ALL CLAIMS AGAINST ICON ENGINEERING AND INSPECTION SERVICES, PLLC RESULTING IN ANY WAY FROM ANY UNAUTHORIZED CHANGES TO OR REUSE OF THE ELECTRONIC FILES FOR ANY OTHER PROJECT BY ANYONE OTHER THAN ICON ENGINEERING AND INSPECTION SERVICES, PLLC.

**EXTERIOR WALL SECTIONS**

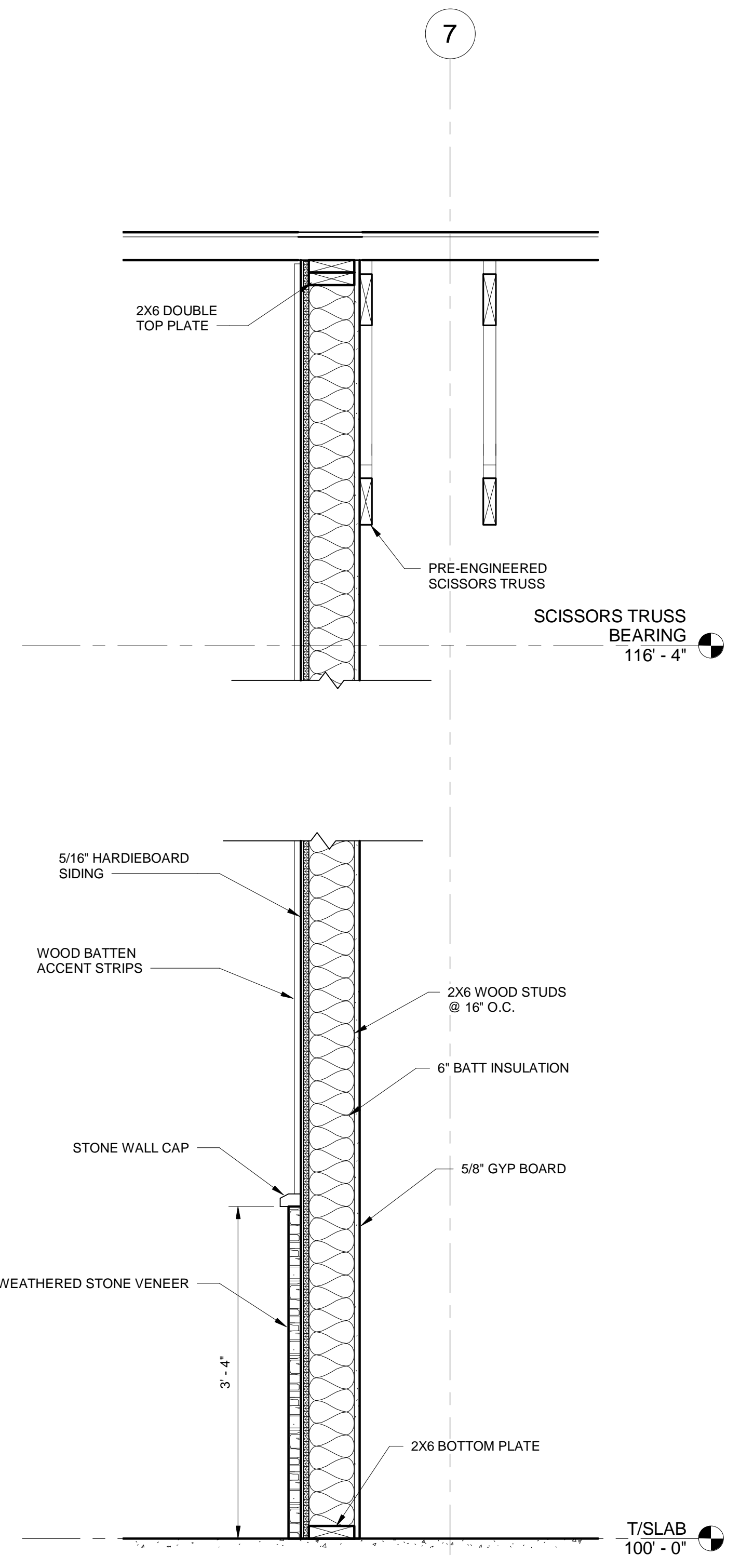
**A-304**



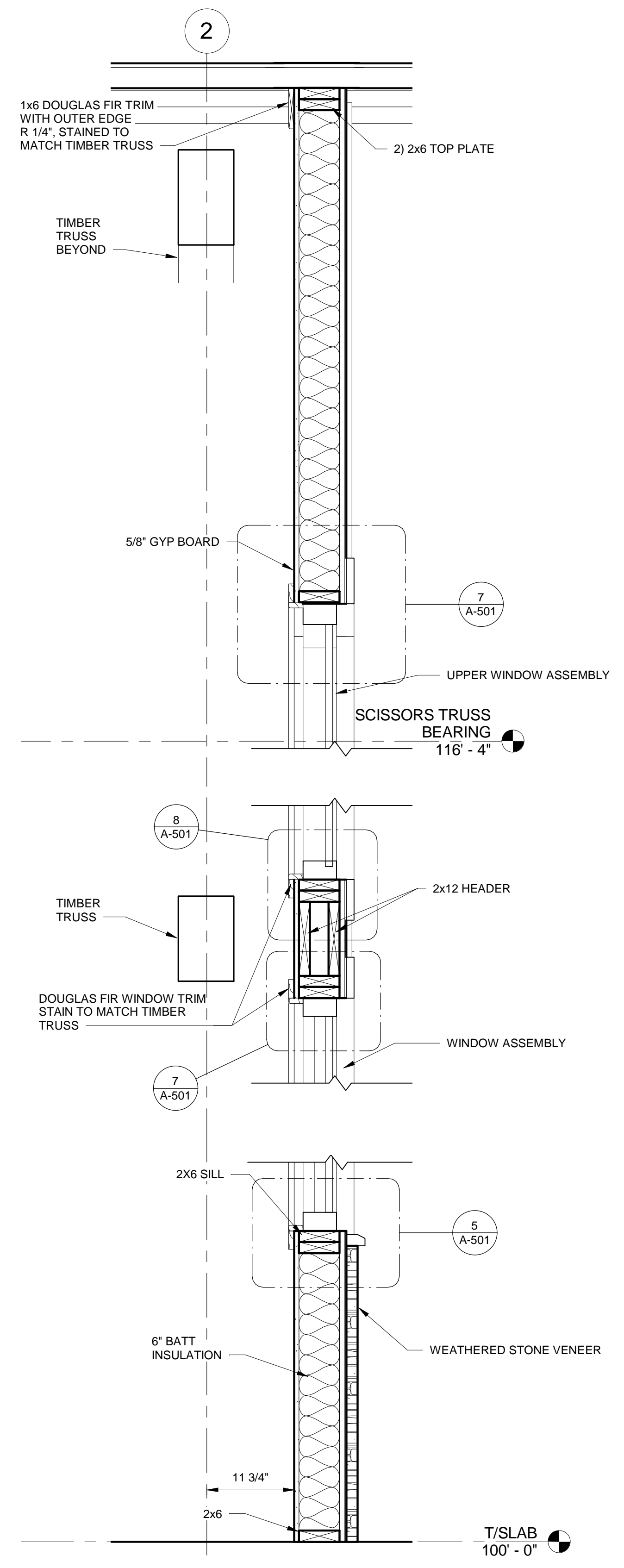
**4** SIDE WALL SECTION AT VENDING  
A-301 SCALE: 1" = 1'-0"



**3** SIDE WALL SECTION AT WINDOW  
A-100 SCALE: 1" = 1'-0"



**2** WAREHOUSE END WALL SECTION  
A-100 SCALE: 1" = 1'-0"



**1** FRONT LOBBY ENDWALL SECTION @ WINDOWS  
A-100 SCALE: 1" = 1'-0"