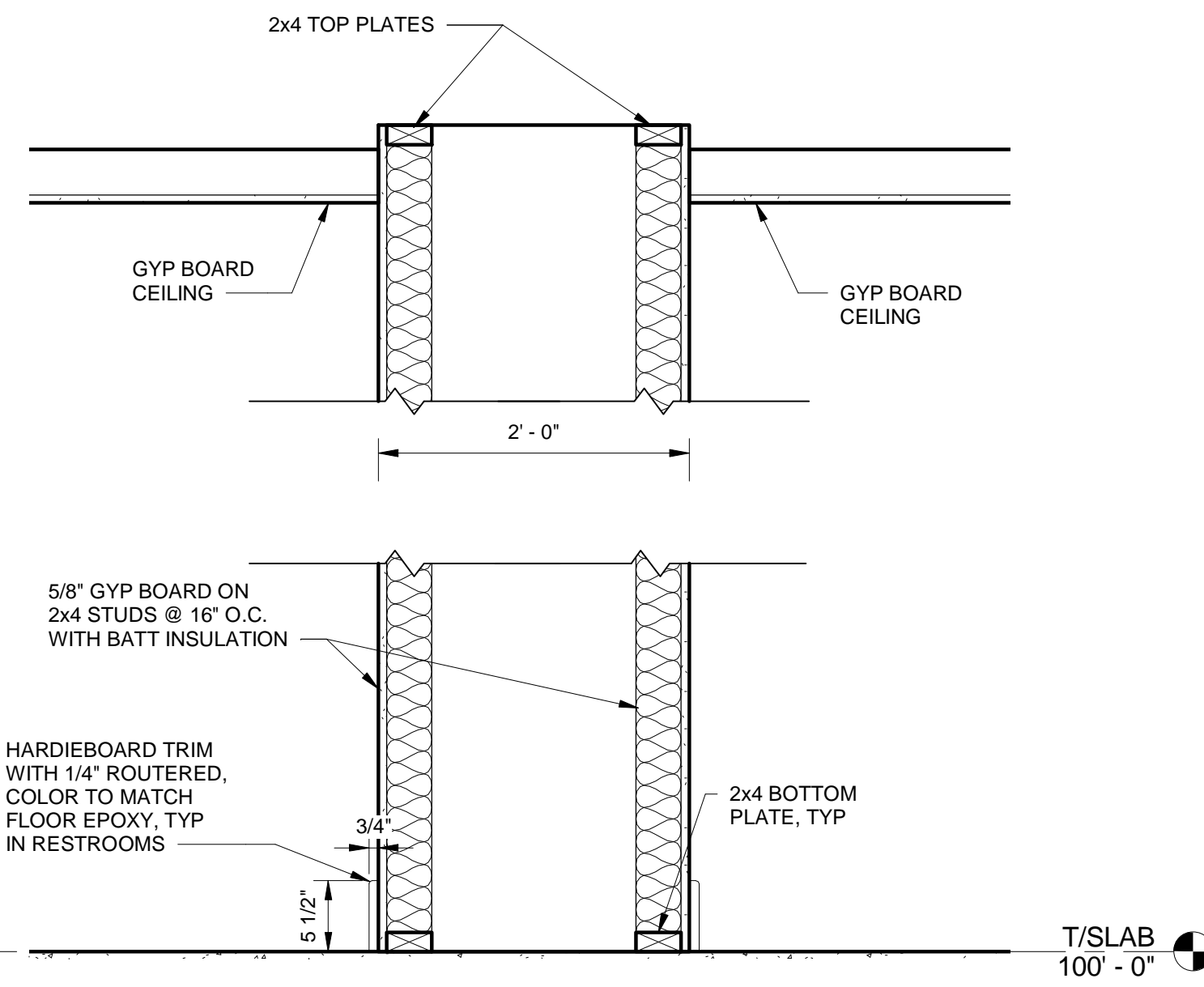
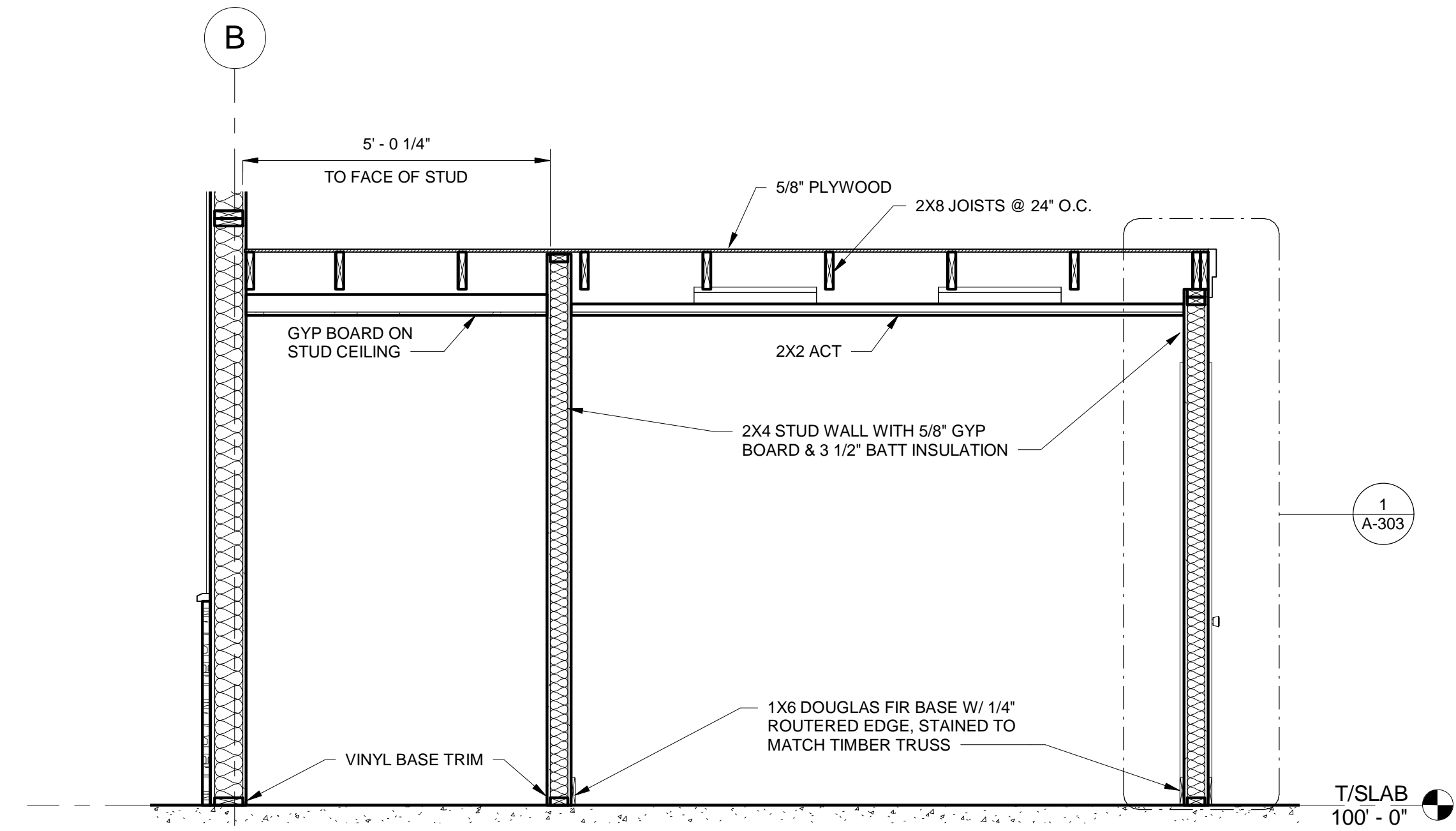


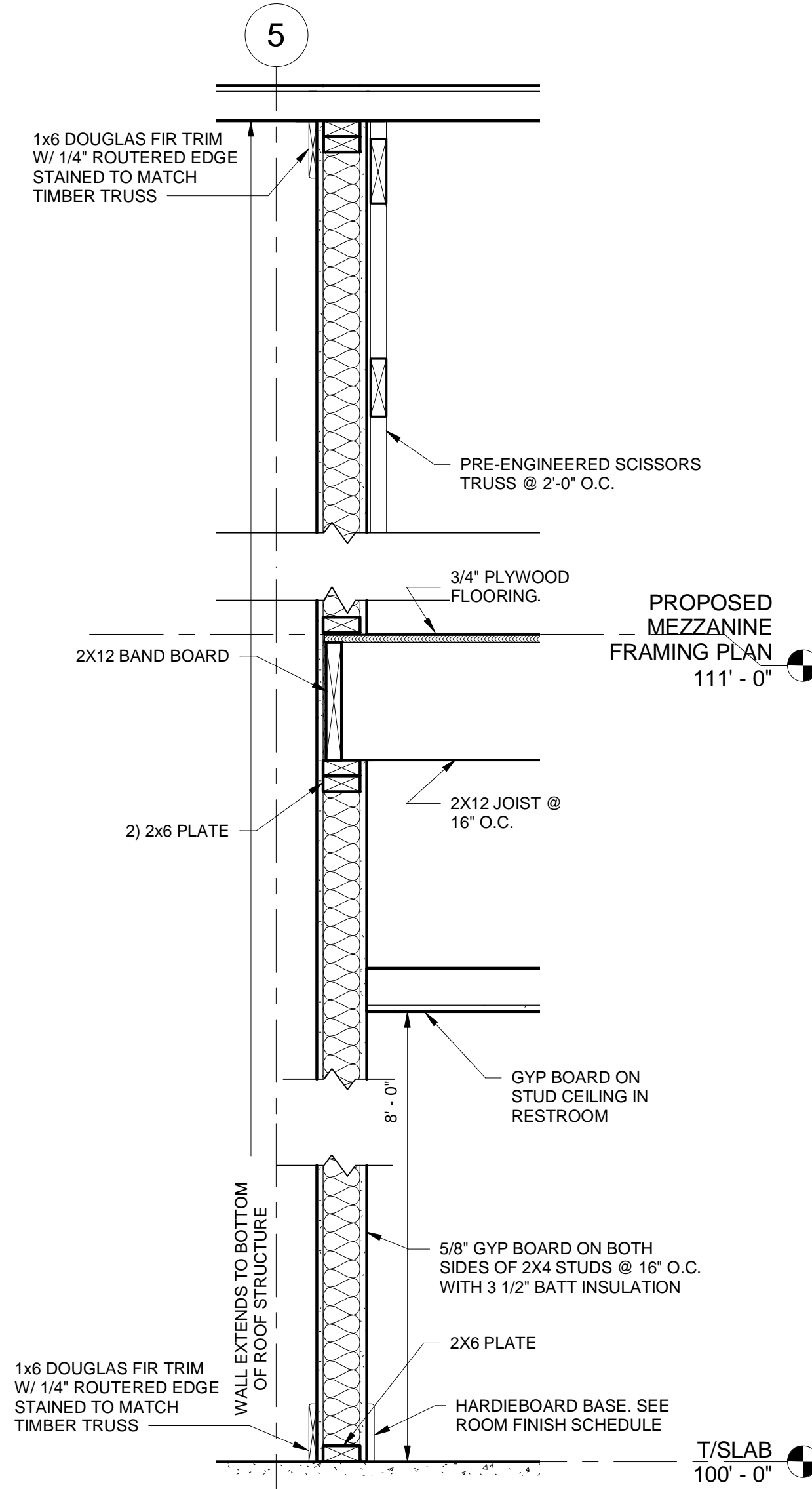
**1 OFFICE WALL SECTION**  
A-300 SCALE: 1" = 1'-0"



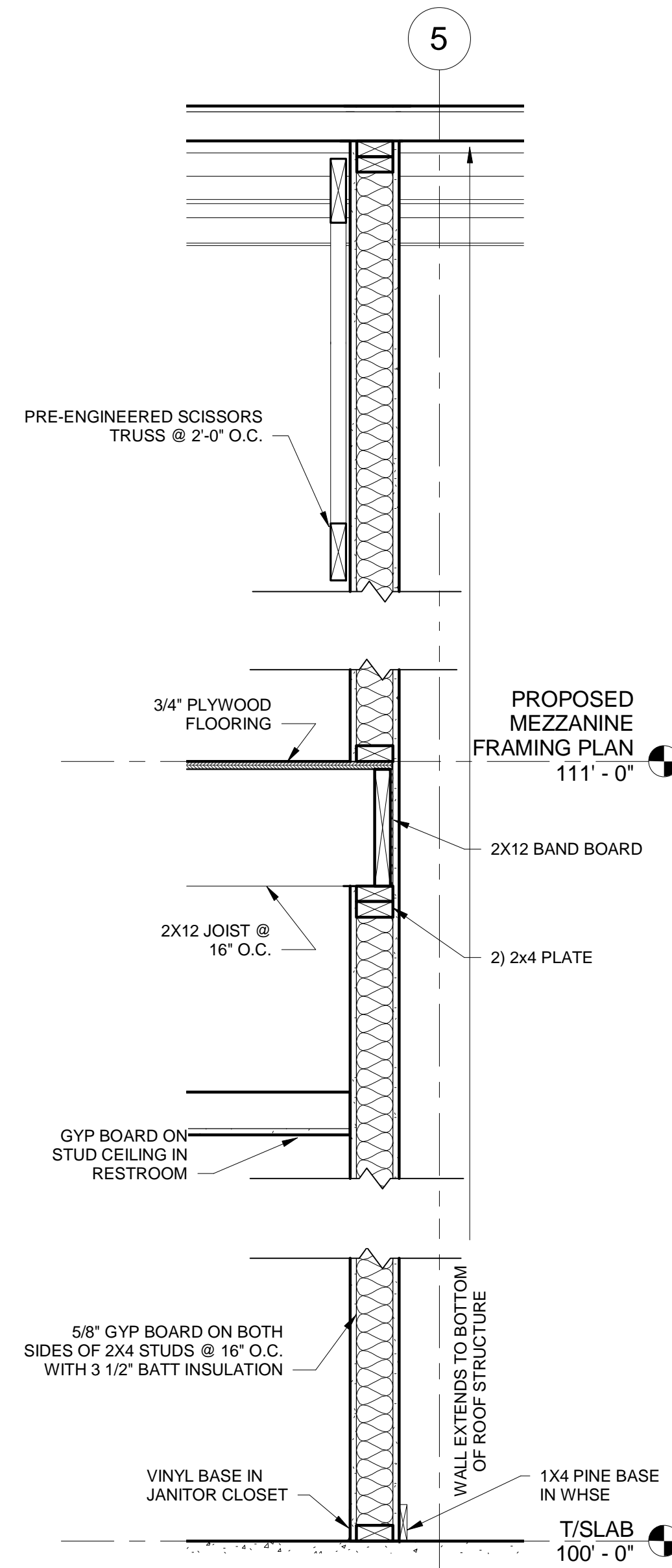
**2 PLUMBING CHASE WALL SECTION**  
A-301 SCALE: 1" = 1'-0"



**3 OFFICE & MECHANICAL ROOM SECTION**  
A-100 SCALE: 1/2" = 1'-0"



**4 BACK LOBBY WALL SECTION**  
A-100 SCALE: 1" = 1'-0"



**5 WAREHOUSE WALL SECTION**  
A-100 SCALE: 1" = 1'-0"



ARCHITECTURAL	
PROJECT	2016-1340
DATE	8/18/2017
DRAWN	LEA
CHECKED	MSC

NO.	DATE	DESCRIPTION

ICON ENGINEERING AND INSPECTION SERVICES, PLLC HAS RETAINED AN ELECTRONIC VERSION OF THESE DRAWINGS. THE CLIENT AGREES NOT TO REPRODUCE, REUSE, OR COPY THESE DRAWINGS IN ELECTRONIC OR ANY OTHER FORMAT IN WHOLE OR IN PART, FOR ANY PURPOSE OTHER THAN FOR THE SPECIFIC PROJECT LOCATION NOTED IN THE PROJECT TITLE BLOCK. THE CLIENT AGREES NOT TO TRANSFER THESE ELECTRONIC FILES TO OTHERS WITHOUT THE PRIOR WRITTEN CONSENT OF ICON ENGINEERING AND INSPECTION SERVICES, PLLC. THE CLIENT FURTHER AGREES TO WAIVE ALL CLAIMS AGAINST ICON ENGINEERING AND INSPECTION SERVICES, PLLC RESULTING IN ANY WAY FROM ANY UNAUTHORIZED CHANGES TO OR REUSE OF THE ELECTRONIC FILES FOR ANY OTHER PROJECT BY ANYONE OTHER THAN ICON ENGINEERING AND INSPECTION SERVICES, PLLC.

**INTERIOR WALL SECTIONS**