



ARCHITECTURAL	
PROJECT	2016-1340
DATE	8/18/2017
DRAWN	LEA
CHECKED	MSC

REVISIONS	No.	Description	Date

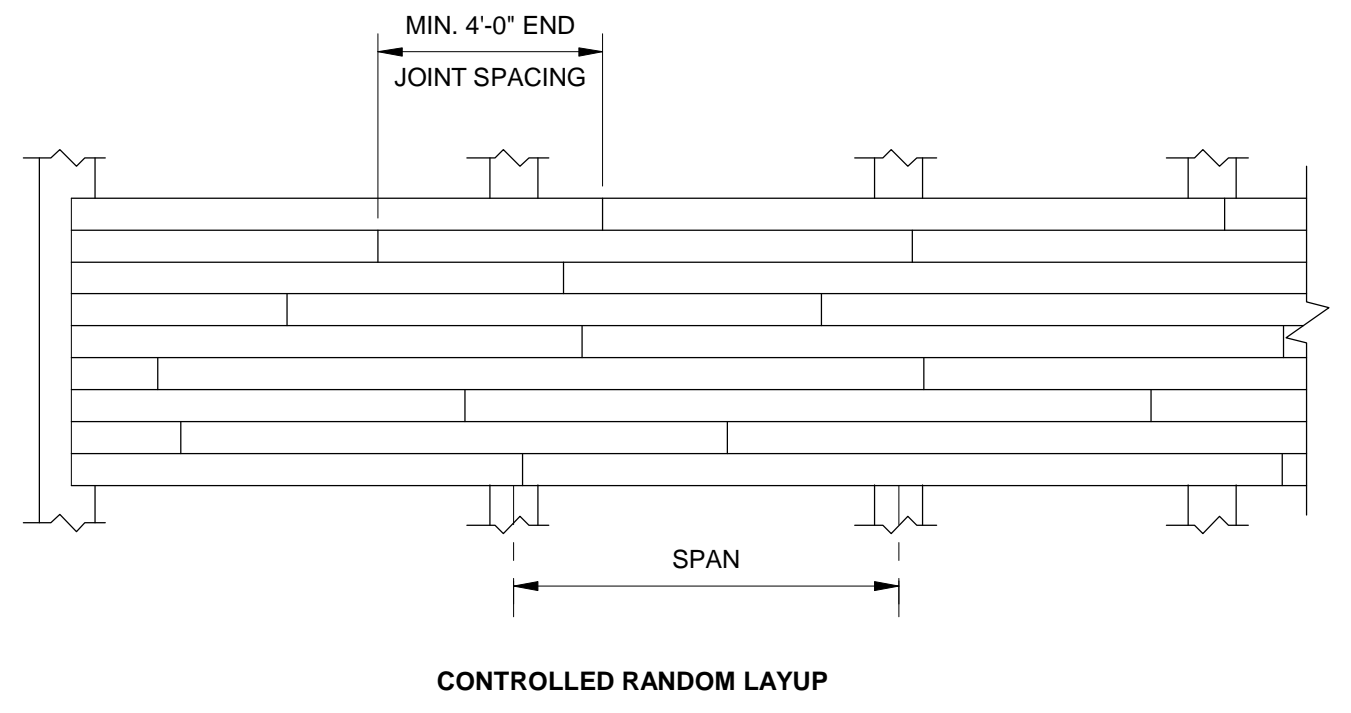
ICON ENGINEERING AND INSPECTION SERVICES, PLLC HAS RETAINED AN ELECTRONIC VERSION OF THESE DRAWINGS. THE CLIENT AGREES NOT TO REPRODUCE, REUSE, OR COPY THESE DRAWINGS IN ANY MANNER OR IN ANY MEDIUM, INCLUDING BUT NOT LIMITED TO, ELECTRONIC OR ANY OTHER FORMAT, IN WHOLE OR IN PART, FOR ANY PURPOSE OTHER THAN FOR THE SPECIFIC PROJECT LOCATION NOTED IN THE PROJECT TITLE BLOCK. THE CLIENT AGREES NOT TO TRANSFER THESE ELECTRONIC FILES TO OTHERS WITHOUT THE PRIOR WRITTEN CONSENT OF ICON ENGINEERING AND INSPECTION SERVICES, PLLC. THE CLIENT FURTHER AGREES TO WAIVE ALL CLAIMS AGAINST ICON ENGINEERING AND INSPECTION SERVICES, PLLC RESULTING IN ANY WAY FROM ANY UNAUTHORIZED CHANGES TO OR REUSE OF THE ELECTRONIC FILES FOR ANY OTHER PROJECT BY ANYONE OTHER THAN ICON ENGINEERING AND INSPECTION SERVICES, PLLC.

**ROOF PLAN**

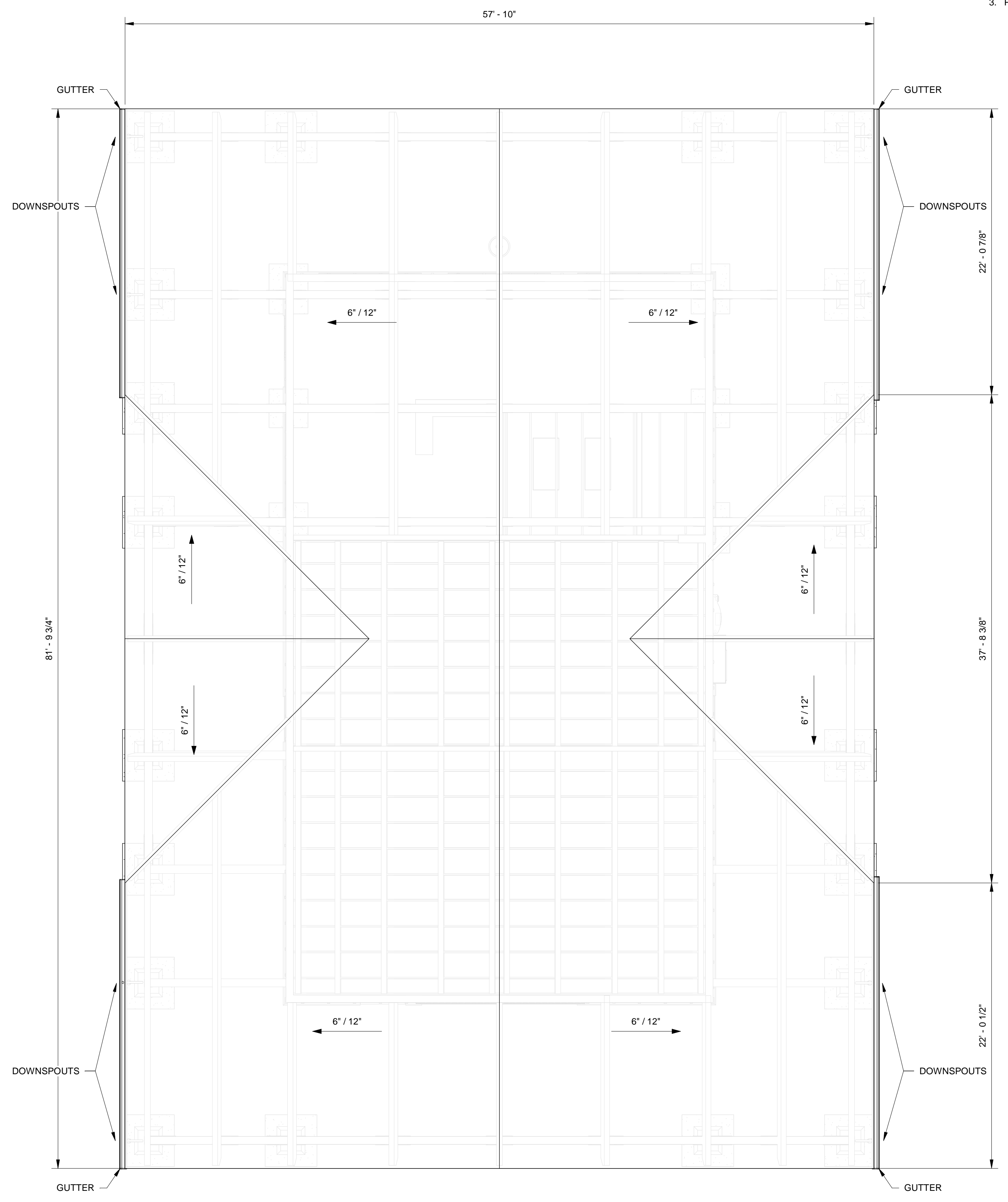
**A-102**  
© 2017 ICON ENGINEERING

**ROOFING NOTES**

1. USE OWENS CORNING OAKRIDGE DIMENSIONAL ROOF SHINGLES
2. COLOR SHALL BE "BROWNWOOD"
3. PROVIDE WOVEN VALLEYS



**2 3" TONGUE & GROOVE ROOF DECKING NAILING SCHEDULE**  
SCALE: 1" = 1'-0"



**1 ROOF PLAN**  
SCALE: