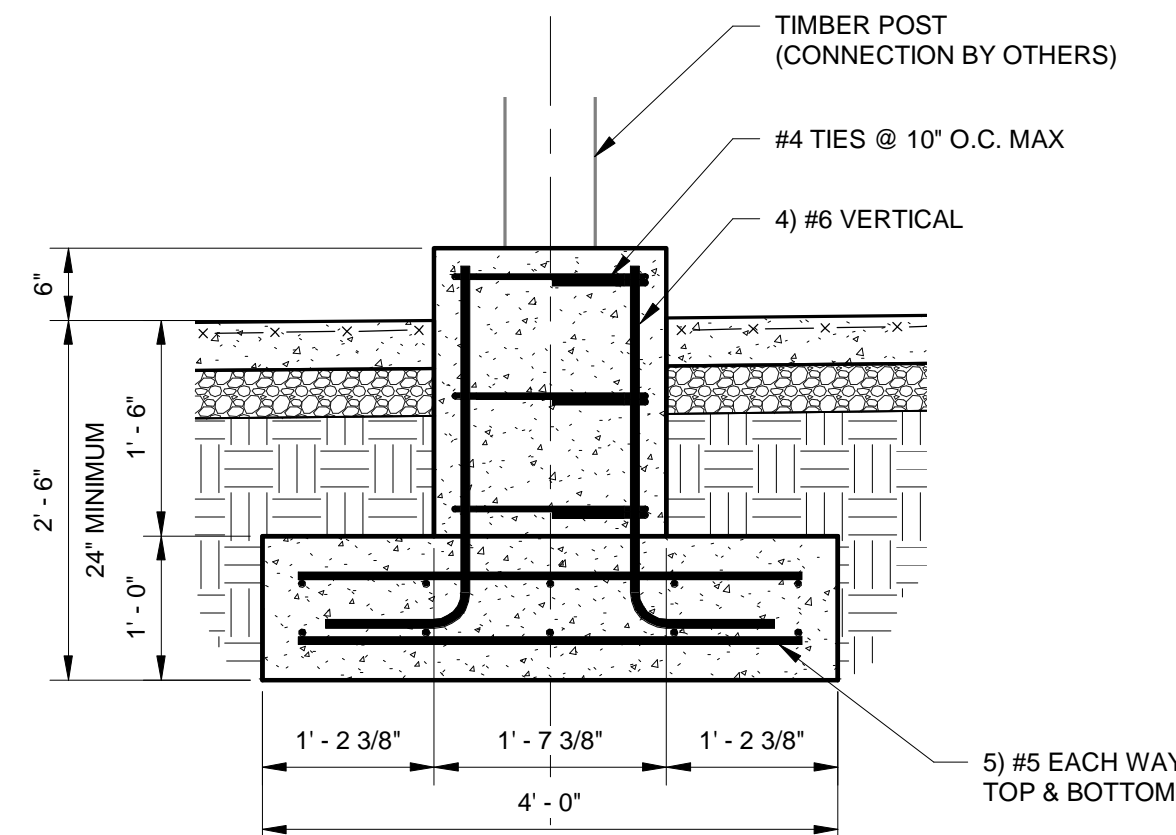
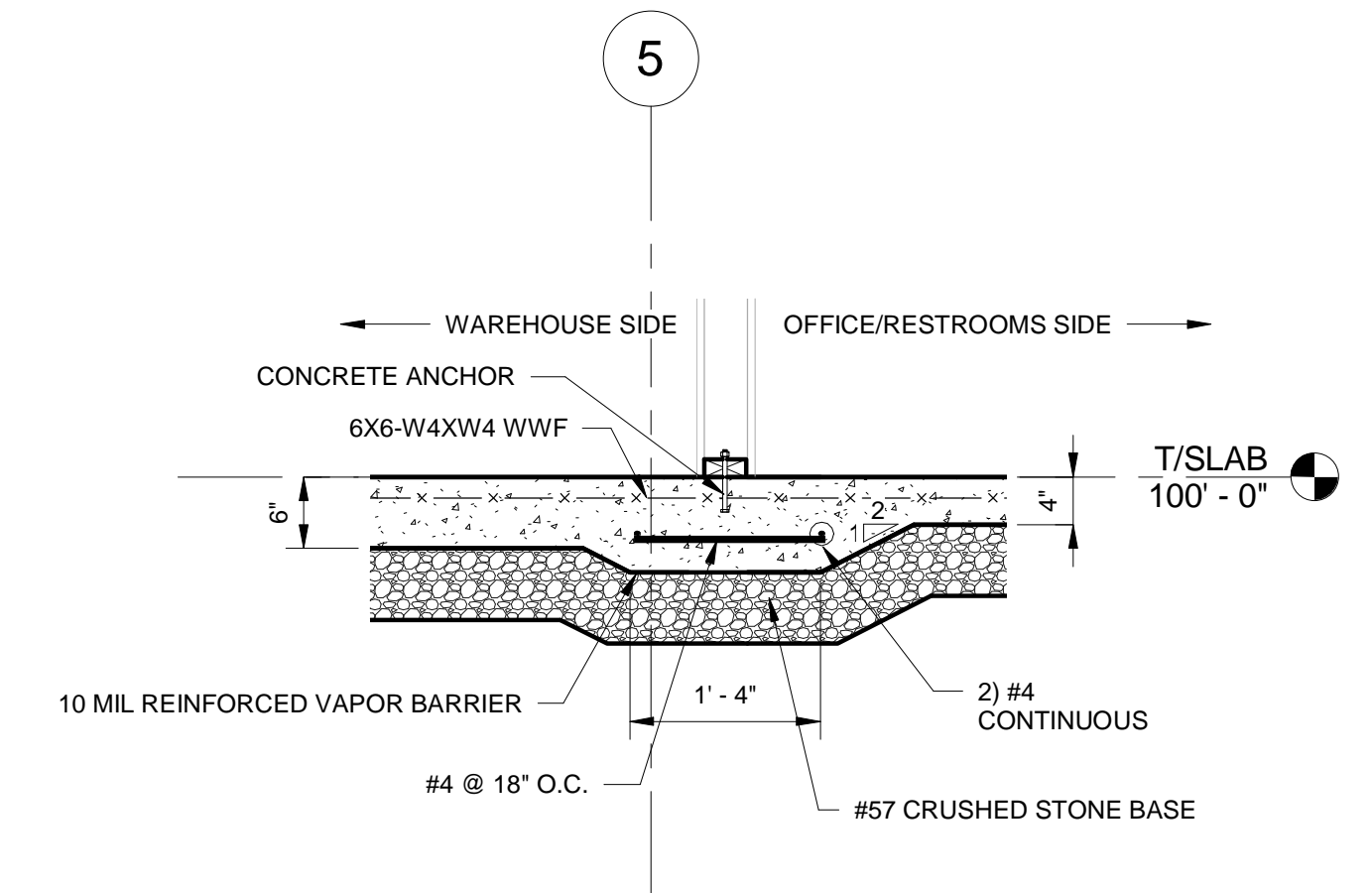


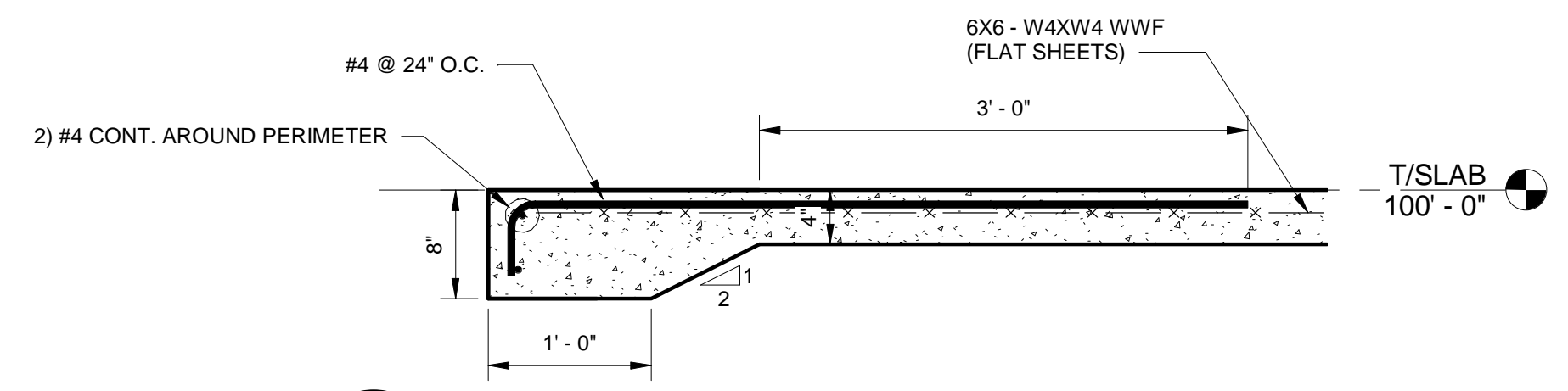
1 TYPICAL FOUNDATION WALL SECTION
S-100 SCALE: 3/4" = 1'-0"



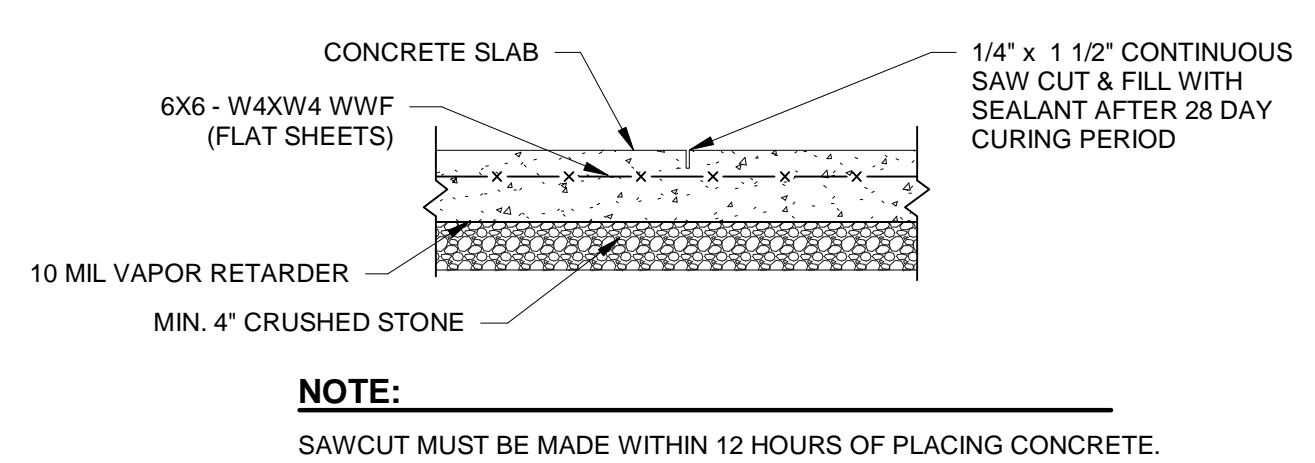
2 TYPICAL TIMBER POST FOUNDATION (F1)
S-100 SCALE: 3/4" = 1'-0"



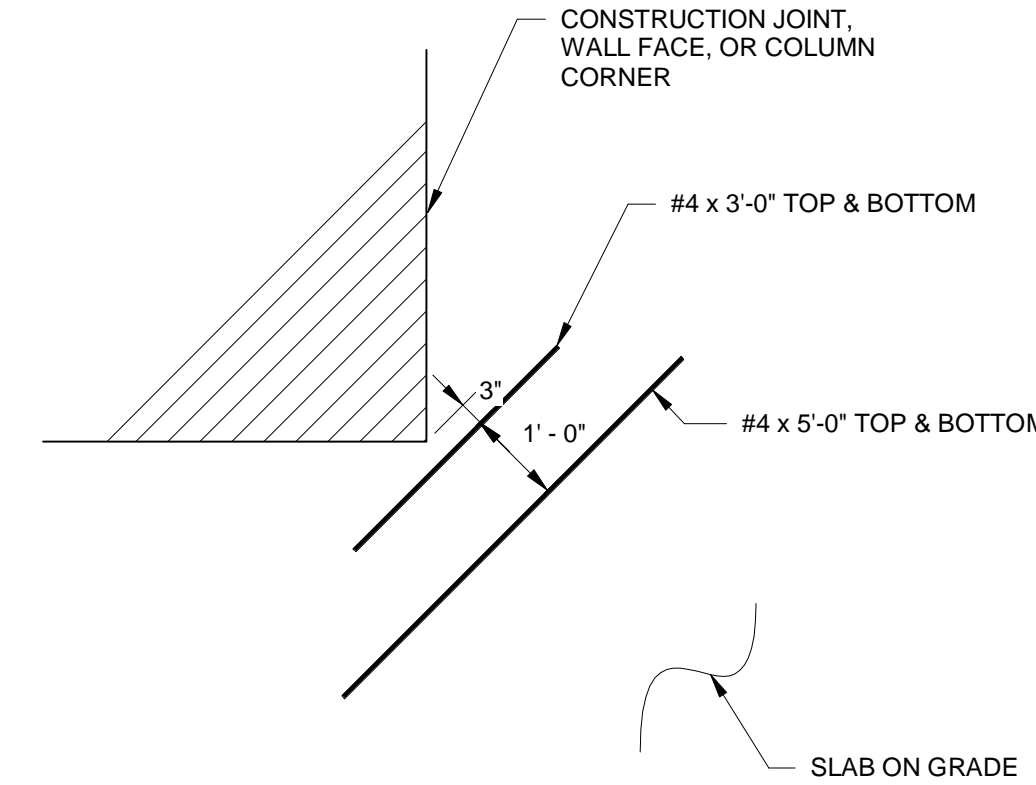
3 THICKENED SLAB DETAIL
S-100 SCALE: 3/4" = 1'-0"



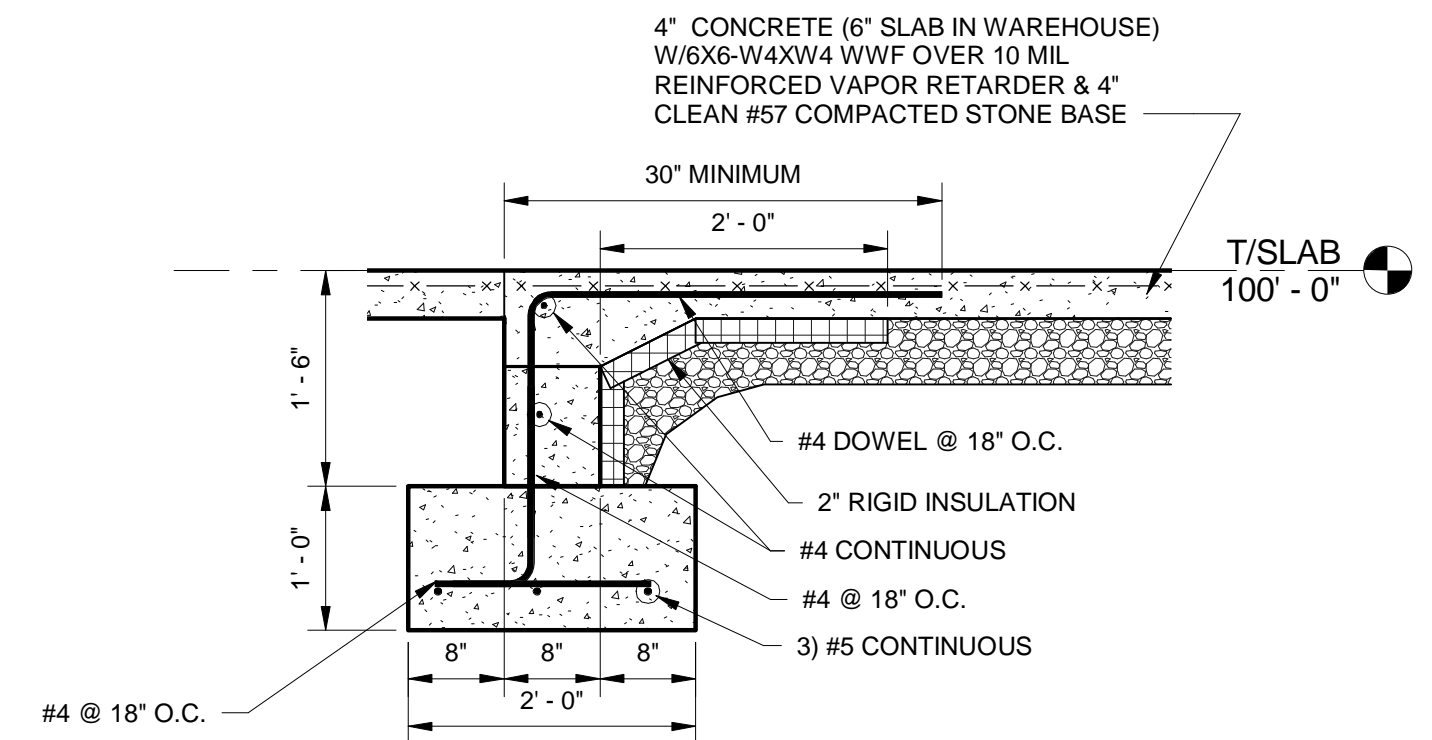
4 TYPICAL TURNED DOWN SLAB DETAIL
S-100 SCALE: 1" = 1'-0"



5 TYPICAL SLAB ON GRADE CONTROL JOINT DETAIL
S-200



6 TYPICAL RE-ENTRY REINFORCING
S-200



7 TYP POURTHROUGH DETAIL
S-100 SCALE: 3/4" = 1'-0"

STRUCTURAL	
PROJECT	2016-1340
DATE	8/18/2017
DRAWN	EAM
CHECKED	SK

REVISIONS	DATE	
	No.	Description

ICON ENGINEERING AND INSPECTION SERVICES, PLLC HAS RETAINED AN ELECTRONIC VERSION OF THESE DRAWINGS. THE CLIENT AGREES NOT TO REPRODUCE, REUSE, OR COPY THESE DRAWINGS IN ELECTRONIC OR ANY OTHER FORMAT, IN WHOLE OR IN PART, FOR ANY PURPOSE OTHER THAN FOR THE SPECIFIC PROJECT LOCATION NOTED IN THE PROJECT TITLE BLOCK. THE CLIENT AGREES NOT TO TRANSFER THESE ELECTRONIC FILES TO OTHERS WITHOUT THE PRIOR WRITTEN CONSENT OF ICON ENGINEERING AND INSPECTION SERVICES, PLLC. THE CLIENT FURTHER AGREES TO WAIVE ALL CLAIMS AGAINST ICON ENGINEERING AND INSPECTION SERVICES, PLLC RESULTING IN ANY WAY FROM ANY UNAUTHORIZED CHANGES TO OR REUSE OF THE ELECTRONIC FILES FOR ANY OTHER PROJECT BY ANYONE OTHER THAN ICON ENGINEERING AND INSPECTION SERVICES, PLLC.